

epocc_lounge

EP 520

: product card

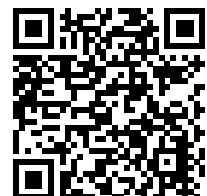


A tribute to simplicity, inspired by the design excellence of days gone by - this is the definition of the Epocc_lounge collection. The wide and deep seat and well-shaped backrest ensure maximum sitting comfort, while the acoustic headrest muffles external noises.

design:

Jan Kochański

Product website
[website link](#)



bejot:

collection advantages

comfort in the spirit of the 1950s.

The wide seats and ergonomically adjusted backrest angle guarantee comfort even during prolonged use.

matched to the interior style

Epocc_lounge seats are available in three variants: with high and low backrests and an acoustic headrest.

even more comfort

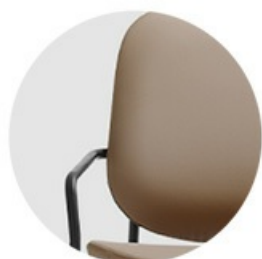
Epocc_lounge seats are optionally available with armrest pads. They can be upholstered in fabric or leather.

technical data

EP 520

Standard ●
Option ○

bejot:epocc_lounge



standard



+ P



+ TB-O

Base

Powder painted (colors according to the Bejot sampler) ●

Armrests

Without upholstered pads ●

With upholstered pad in the color of the seat and backrest upholstery P-A ○

With upholstered pad in leather P-L ○

Mobile writing pad

Laminated board tabletop TB-L ●

Finger joint solid oak tabletop TB-O ○

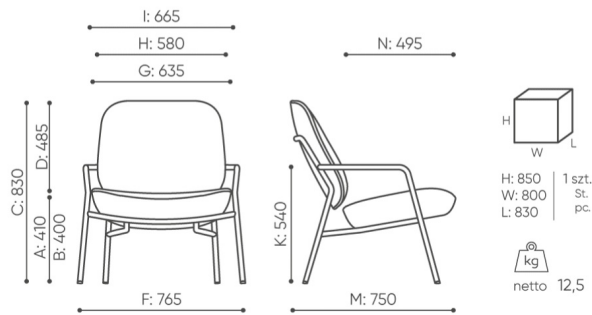
Feet

Feet for soft floor TK ●

Felt feet for hard floor TF ○

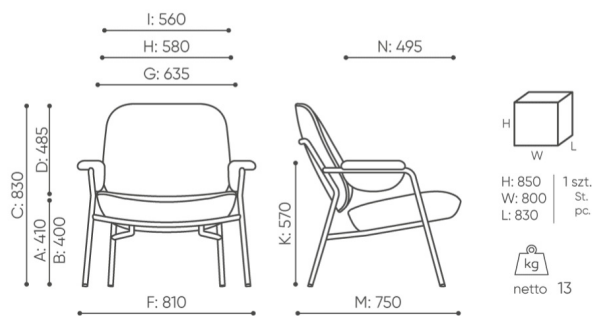
dimensions

EP 520

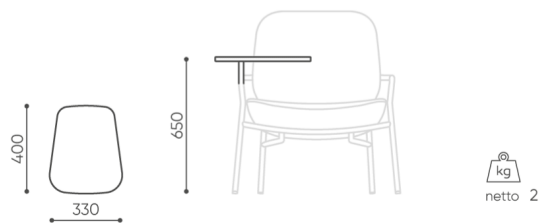


EP 520

bejot:epocc_lounge



EP 520 + P



EP TB-L

- A seat height: overall dimensions
- B seat height: measured according to the norm
PN EN 1335 - 1
- C chair height
- D backrest height
- E headrest height
- F dimensional width chair / base
- G seat width
- H backrest width
- I width between armrests
- K height from the floor to the armrest
- L backrest length
- M dimensional chair depth
- N seat depth / seat length

Dimensions are approximate and may vary depending on the selected product configuration. The requirements of the standard are always met.

materials available for collection

1st price group	Fenno, Keimo
2nd price group	Alpa, Charles, Charles - Studio Design, Cura, Era - Studio Design, Pastel, Roccia
3rd price group	Ally, Ally SD, Alpa-Studio Design, Blazer, Cura SD, Easy SD, Oceanic, Silvertex , Silvertex - Studio Design, Synergy, Synergy - Studio Design
4th price group	Heritage, Oceanic-Studio Design, Remix - Studio Design
5th price group	Accessoire, Steelcut Trio 3
Leather	Leather
Tabletop	Finger joint wood, Laminated tabletop
Metal	Metal - powder coated

bejot:epocc_lounge

