

# flos

## FS K H

: product card



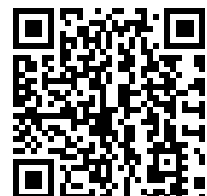
The Flos collection is all about extremely comfortable seating with a wide range of bases: metal, wooden, on castors, low, high and benches. It is perfect for both office and home workplaces.

**design:**  
**Tomasz Augustyniak**

**must  
have**  
THE BEST OF DESIGN

# bejot:

**Product website**  
[website link](#)



# collection advantages

## comfortable bar chairs

The ergonomic bucket of the Flos hocker adapts to the shape of the back, providing spinal support in a classic, elegant design. Hockers are now being used in office and restaurant interiors as well as in the home.

## technical data

FS K H

Standard ●  
Option ○

### Base

---

Powder painted (colors according to the Bejot sampler book) ●

### Feet

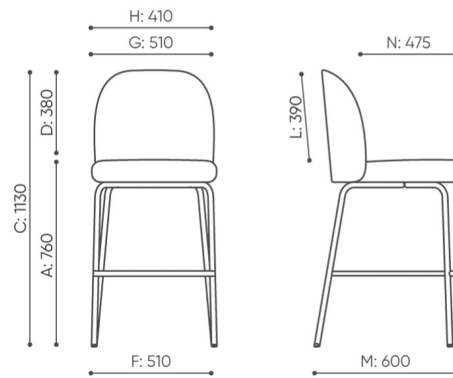
---

Feet for soft floor TK ●

Felt feet for hard floor TF ○

# dimensions

FS K H



FS K H

- A seat height: overall dimensions
- B seat height: measured according to the norm  
PN EN 1335 - 1
- C chair height
- D backrest height
- E headrest height
- F dimensional width chair / base
- G seat width
- H backrest width
- I width between armrests
- K height from the floor to the armrest
- L backrest length
- M dimensional chair depth
- N seat depth / seat length

Dimensions are approximate and may vary depending on the selected product configuration. The requirements of the standard are always met.

## materials available for collection

1st price group	Fenno, Keimo
2nd price group	Alpa, Charles, Charles - Studio Design, Cura, Pastel, Roccia
3rd price group	Ally, Ally SD, Alpa-Studio Design, Blazer, Cura SD, Easy SD, Oceanic, Silvertex , Silvertex - Studio Design, Synergy, Synergy - Studio Design
4th price group	Heritage, Oceanic-Studio Design, Remix - Studio Design
5th price group	Accessoire, Steelcut Trio 3
Leather	Leather
Metal	Metal - powder coated

