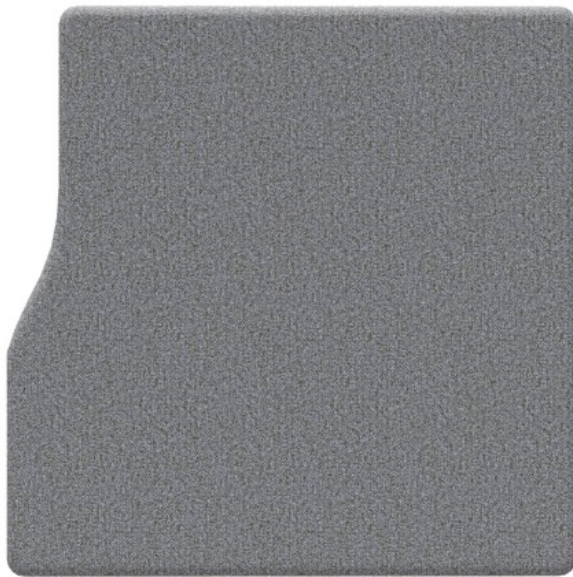


flos:acoustics

FS WS 120

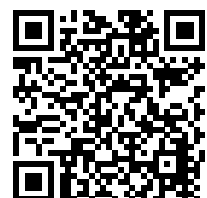
: product card



Flos acoustic panels and screens fulfil three important functions: soundproofing, dividing space, and aesthetics. All Flos furniture is united by a flowing shape line that expresses peace and harmony.

design:
Tomasz Augustyniak

Product website
[website link](#)



bejot:

collection advantages

wall panels

Flos wall panels are thick and soft to reduce reverberation and lower noise levels. The fastening system allows for easy assembly, enabling the panels to be repeatedly joined and put together.

consistent design

The distinctive, flowing contour line is inscribed into one of the sides of the panels and acoustic walls. The use of both individual screens and those set together creates coherent functional layouts and offers a wide range of design possibilities.

technical data

FS WS 120

Standard ●
Option ○

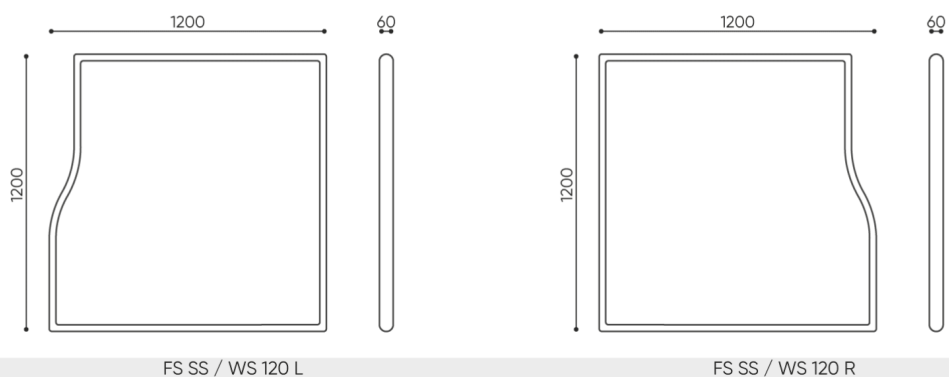
Mounting

Wall mounting kit

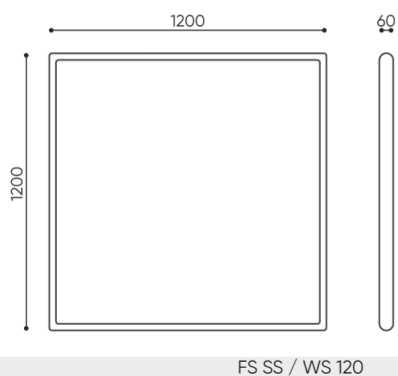
●

dimensions

FS WS 120



bejot:flos:acoustics



- H** height: overall dimensions
- W** width: overall dimensions
- L** depth: overall dimensions

Dimensions are approximate and may vary depending on the selected product configuration. The requirements of the standard are always met.

materials available for collection

1st price group

Fenno

2nd price group

Alpa, Charles, Charles - Studio Design, Cura, Era - Studio Design, Pastel, Roccia

3rd price group

Ally, Ally SD, Alpa-Studio Design, Blazer, Cura SD, Easy SD, Oceanic, Synergy, Synergy - Studio Design

4th price group

Heritage, Remix - Studio Design

5th price group

Accessoire, Steelcut Trio 3

bejot:flos:acoustics

