

hens

HS 261 H

: product card



The hens collection is characterised by Scandinavian design and functionality. It adheres to the principles of simplicity, usability and naturalness. The strong steel frame gives the chairs a loft character. Their raw form is balanced by the natural oak veneer and soft upholstery.

design:
Henrik Schultz

Product website
[website link](#)



bejot:

collection advantages

scandinavian design and functionality

The collection is a contemporary interpretation of the classic school chair. Designed with inspiration from Scandinavian design, it meets the objectives of simplicity, functionality and naturalness.

easy stacking

The chairs are perfectly stackable, and some models can be joined together with a dedicated rail. This makes them suitable for virtually anywhere - from offices to schools and public spaces.

practical armrests

The round cover (PUT) on the armrests is not only an aesthetic finish but also a functional solution that allows for the safe suspension of chairs on the table top. This facilitates keeping floors clean in conference rooms, canteens, and other spaces.

technical data

HS 261 H

Standard ●
Option ○

Base

Powder painted (colors according to the Bejot sampler) ●

Castors

CODE

Hard castors for soft floors Ø 65 with auto-brake ●

DEMA

Soft castors for hard floors Ø 65 with auto-brake ○

DEMAD

Universal castors without brake, color white ○

RL W4

Description

Code

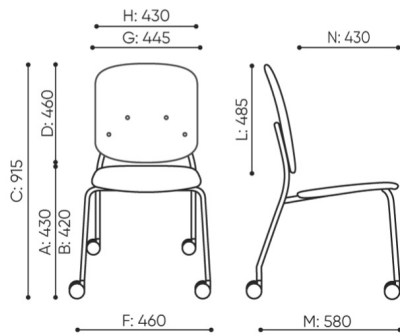
Seat and backrest, natural oak veneer 1N

Upholstered seat / backrest, natural oak veneer 2N

Upholstered seat and backrest 4N

dimensions

HS 261 H



H: 950
W: 660
L: 600

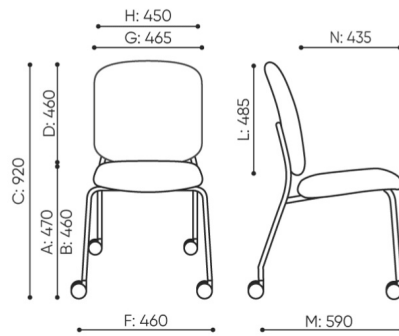
1 szt.
St.
pc.



H: 1050
W: 650
L: 600

2 szt.
St.
pc.

netto 7,5
brutto 10,5



H: 950
W: 650
L: 600

1 szt.
St.
pc.



H: 1050
W: 650
L: 600

2 szt.
St.
pc.

netto 8
brutto 11

HS 261 H 1N

HS 261 H 4N

- A seat height: overall dimensions
- B seat height: measured according to the norm
PN EN 1335 - 1
- C chair height
- D backrest height
- E headrest height
- F dimensional width chair / base
- G seat width
- H backrest width
- I width between armrests
- K height from the floor to the armrest
- L backrest length
- M dimensional chair depth
- N seat depth / seat length

Dimensions are approximate and may vary depending on the selected product configuration. The requirements of the standard are always met.

materials available for collection

| | |
|--------------------|---|
| 1st price group | Bond, Fenno, Keimo, Sawana |
| 2nd price group | Alpa, Charles, Charles - Studio Design, Cura, Era - Studio Design, Pastel, Roccia |
| 3rd price group | Ally, Ally SD, Alpa-Studio Design, Blazer, Cura SD, Easy SD, Oceanic, Rhythm, Silvertex , Silvertex - Studio Design, Synergy, Synergy - Studio Design |
| 4th price group | Heritage, Oceanic-Studio Design, Remix - Studio Design |
| 5th price group | Accessoire, Steelcut Trio 3 |
| Leather | Leather |
| Natural oak veneer | Natural oak veneer |
| Metal | Metal - powder coated |

bejot:hens

