

# hens

HS 231

: product card



The hens collection is characterised by Scandinavian design and functionality. It adheres to the principles of simplicity, usability and naturalness. The strong steel frame gives the chairs a loft character. Their raw form is balanced by the natural oak veneer and soft upholstery.

**design:**  
**Henrik Schultz**

**Product website**  
[website link](#)



**bejot:**

# collection advantages

## scandinavian design and functionality

The collection is a contemporary interpretation of the classic school chair. Designed with inspiration from Scandinavian design, it meets the objectives of simplicity, functionality and naturalness.

## easy stacking

The chairs are perfectly stackable, and some models can be joined together with a dedicated rail. This makes them suitable for virtually anywhere – from offices to schools and public spaces.

## practical armrests

The round cover (PUT) on the armrests is not only an aesthetic finish but also a functional solution that allows for the safe suspension of chairs on the table top. This facilitates keeping floors clean in conference rooms, canteens, and other spaces.

## technical data

HS 231

Standard ●  
Option ○

### Base

Powder painted (colors according to the Bejot pattern book)	●
Chrome	○

### Colours for the 1N/2N version

Natural oak veneer – clear varnish matt	ONB	●
Natural oak veneer – black matt varnish (RAL 9005M)	O9005	○
Natural oak veneer – gray matt varnish (RAL 7045M)	O7045	○
Natural oak veneer – maroon matt varnish (RAL 3005M)	O3005	○
Natural oak veneer – green matt varnish (RAL 6005M)	O6005	○
Natural oak veneer – blue matt varnish (RAL 5007M)	O5007	○

### Additional equipment

Black masking panel that protects the chairs from scratches during stacking	CP	●
---	----	---

### Glides

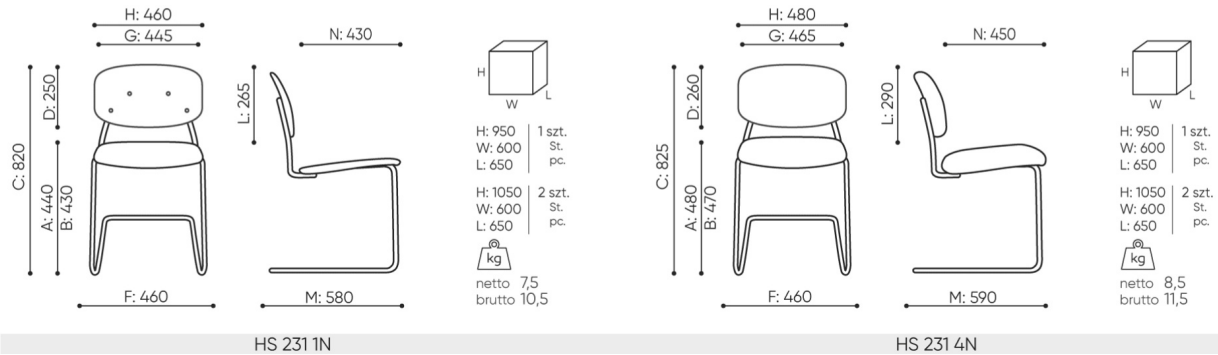
Glides for ceramic floors, concrete and carpets	SK	●
Felt glides for wooden floors and floor panels	SF	○

### Description

Description	Code
Seat and backrest, natural oak veneer	1N
Upholstered seat / backrest, natural oak veneer	2N
Upholstered seat and backrest	4N

# dimensions

## HS 231



- A seat height: overall dimensions
- B seat height: measured according to the norm  
PN EN 1335 - 1
- C chair height
- D backrest height
- E headrest height
- F dimensional width chair / base
- G seat width
- H backrest width
- I width between armrests
- K height from the floor to the armrest
- L backrest length
- M dimensional chair depth
- N seat depth / seat length

Dimensions are approximate and may vary depending on the selected product configuration. The requirements of the standard are always met.

## materials available for collection

1st price group	Bond, Fenno, Keimo, Sawana
2nd price group	Alpa, Charles, Charles - Studio Design, Cura, Era - Studio Design, Pastel, Roccia
3rd price group	Ally, Ally SD, Alpa-Studio Design, Blazer, Cura SD, Easy SD, Oceanic, Rhythm, Silververtex , Silververtex - Studio Design, Synergy, Synergy - Studio Design
4th price group	Heritage, Oceanic-Studio Design, Remix - Studio Design
5th price group	Accessoire, Steelcut Trio 3
Leather	Leather
Natural oak veneer	Natural oak veneer
Metal	Metal - powder coated

bejot:hens



