

be:basic offer

AC 260 be:basic

: product card



Products withdrawn from the offer with extended lead time.
Available only while stock lasts.

design:

Product website
[website link](#)



bejot:

collection advantages

Innovative form

The In Access is a family of the luxury armchairs, distinguished by an innovative form, high quality of the used materials and excellent ergonomic values.

Sophisticated style

The workmanship of the armchair deserves attention – the excellent sewing and selection of the materials and the built-up armrests, which determine its characteristic form. All this makes the In Access a synonym of the sophisticated style, luxury and exclusive simplicity. Show your style with the In Access.

technical data

AC 260 be:basic

Standard ●
Option ○

Base

Powder painted (colors according to Bejot sampler book)	●
Chrome	○

Castors

CODE

Hard castors for soft floors Ø 65 with auto-brake	DEMA	●
Soft castors for hard floors Ø 65 with auto-brake	DEMAD	○
Universal castors without brake, color white	RL W4	○

Stitches

CODE

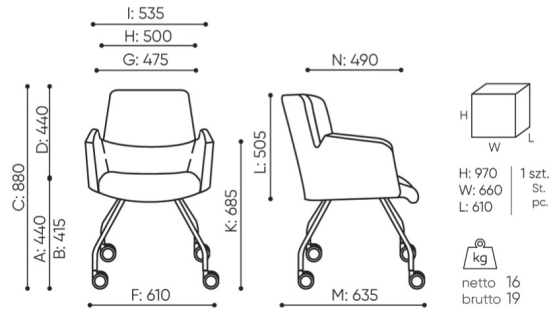
Stitches in the colour of upholstery.	●
White, grey, orange, red, green or black stitches for leather-upholstered armchairs or for keimo, valencia, silvertex collection upholstery.	○

Product available while stocks last

bejot:be:basic offer

dimensions

AC 260 be:basic



AC 260

- A seat height: overall dimensions
- B seat height: measured according to the norm
PN EN 1335 - 1
- C chair height adjustment
- D backrest height adjustment
- E headrest height adjustment
- F dimensional width chair / base
- G seat width
- H backrest width
- I width between armrests
- K armrest height adjustment
- L backrest length
- M dimensional chair depth
- N seat depth adjustment / seat length

Dimensions are approximate and may vary depending on the selected product configuration. The requirements of the standard are always met.

materials available for collection

1st price group	Fenno, Keimo, Sawana
2nd price group	Alpa, Charles, Charles - Studio Design, Cura, Pastel, Roccia, Valencia
3rd price group	Ally, Ally SD, Alpa-Studio Design, Blazer, Cura SD, Easy SD, Oceanic, Silvertex , Silvertex - Studio Design, Synergy, Synergy - Studio Design, Valencia - Studio Design
4th price group	Heritage, Oceanic-Studio Design, Remix - Studio Design
5th price group	Accessoire, Steelcut Trio 3
Leather	Leather
Metal	Metal - powder coated, Metal ALU/chrom
Decorative stitch	Decorative stitch

bejot:be:basic offer

