

# kyos

## KY 230 M

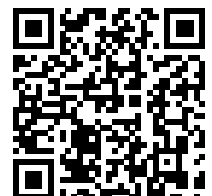
: product card



The simple and ergonomic form, emphasised by the transparent backrest, allows Kyos to harmonise perfectly with the interiors of offices, conference rooms, libraries and public spaces.

**design:**  
**Scagnellato & Ferrarese**

**Product website**  
[website link](#)



# bejot:

# collection advantages

## Simple form, great possibilities

A simple and ergonomic form and an interesting design of the openwork backrest will add lightness to any interior.

## First and foremost, functionality

A possibility of assembling a desktop, combining in rows, stacking the chairs and transporting them on a truck, are features that ensure an outstanding functionality. Thanks to this, the Kyos is perfect both in the modern conference and training rooms, and the small offices and reception desks.

## technical data

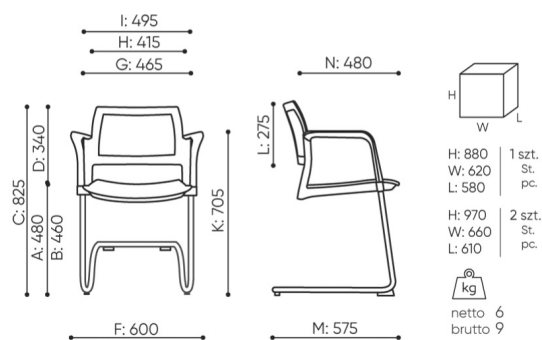
KY 230 M

Standard ●  
Option ○

Base	CODE	
Powder painted (colors according to Bejot pattern book)		●
Chromed (only chairs, an option not available to a trolley KY TR)		○
Backrest	CODE	
Black mesh CLASSIC	M08	●
Light grey mesh CLASSIC	M09	○
Mesh Serge Ferrari (polyester composite / PVC) BLACK	M5005	○
Mesh Serge Ferrari (polyester composite / PVC) LIGHT GREY	M5003	○
Mesh Serge Ferrari (polyester composite / PVC) DARK GREY	M5004	○
Mesh Serge Ferrari (polyester composite / PVC) WHITE	M5001	○
Description		
Whole plastic		1N
Seat: upholstered / backrest: plastic		2N
Upholstered seat and backrest		3N
Seat: plastic / backrest: black or grey base + mesh		1M
Seat: upholstered / backrest: black or grey base + mesh		2M

# dimensions

## KY 230 M



KY 230 2M

- A seat height: overall dimensions
- B seat height: measured according to the norm  
PN EN 1335 - 1
- C chair height
- D backrest height
- E headrest height
- F dimensional width chair / base
- G seat width
- H backrest width
- I width between armrests
- K height from the floor to the armrest
- L backrest length
- M dimensional chair depth
- N seat depth / seat length

Dimensions are approximate and may vary depending on the selected product configuration. The requirements of the standard are always met.

## materials available for collection

1st price group	Bond, Fenno, Keimo, Sawana
2nd price group	Alpa, Charles, Charles - Studio Design, Cura, Era - Studio Design, Pastel, Roccia, Valencia
3rd price group	Ally, Ally SD, Alpa-Studio Design, Blazer, Cura SD, Easy SD, Oceanic, Rhythm, Silvertex , Silvertex - Studio Design, Synergy, Synergy - Studio Design, Valencia - Studio Design
4th price group	Heritage, Oceanic-Studio Design, Remix - Studio Design
5th price group	Accessoire, Steelcut Trio 3
Leather	Leather
Membrane	Membrane Kyos, Momo, Milla, Mesh sampler for Eleven and Kyos
Plastic	Plastic Kyos
Metal	Metal - powder coated

bejot:kyos

