

lift

LF 10R

: product card



A chair designed in line with the sit & stand philosophy. Together with the height-adjustable desk, it creates new standards for movement and flexibility in everyday office life.

design:
Bejot Development Team

Product website
[website link](#)



bejot:

collection advantages

Sit & stand

The chair designed in conformity with the sit & stand philosophy, creates the new standards in terms of movement and flexibility in everyday office life. It will enable you to change a position from sitting to standing, whenever you need it.

Maximum comfort

A seat made of the foam with two different densities provides better seating comfort. The resulting convexity in the front part prevents slipping off the seat in the working position.

technical data

LF 10R

Standard ●
Option ○

Mechanism

Synchro mechanism with the backrest fixed in 4 positions (range of the adjustable recline angle: backseat: 22°, seat: 13°) M ●

Gaslift

Shock absorber - for seats for tables with a max height of 1100 mm (adjustment range of 200 mm) PG380 ●
Shock absorber - for seats for tables with a max height of 900 mm (adjustment range of 200 mm) PG300 ○

Base

Plastic 5-star base (nylon) Ø700 + standard black ring (RB) 17 ●
Polished aluminium 5-star base (chrome effect) Ø690 22 ○
Powder coated aluminium 5-star base (colors according to Bejot sampler book) Ø 690 23 ○
Powder coated aluminium 5-star base (colors according to Bejot sampler book) Ø 700 SB 33 ○

Armrests

Without arms ●
Armrests adjustable up and down (range: 80 mm) with a soft cover plus:
const. nylon black/thermo polyurethane armpad (TPU) fully recycling P48B ○
const. polished aluminium (chrome effect)/thermo polyurethane armpad (TPU) fully recycling P48C ○

Seat and backrest connector

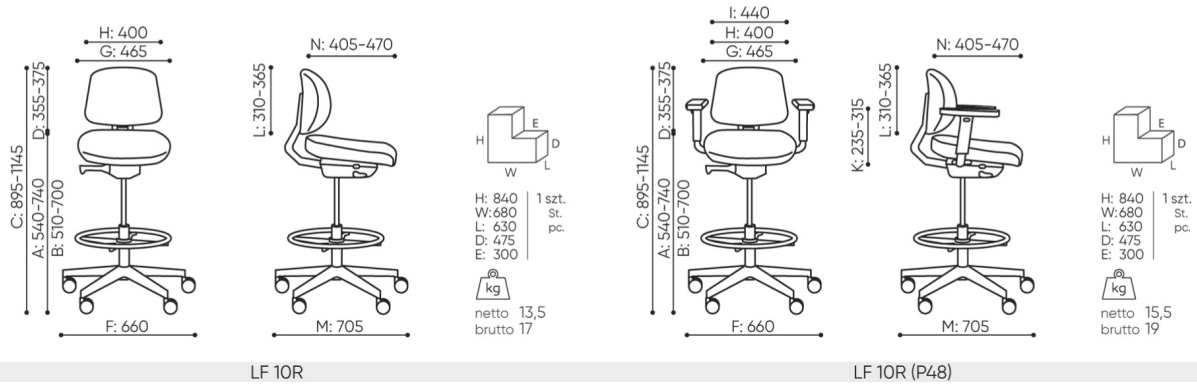
Connector that allows you to adjust the height of the backrest (range 70mm) ●

Castors

Universal castors on any surface Ø 50 function SIT & BREAK (lock while sitting) DRGDB ●

dimensions

LF 10R



- A seat height: overall dimensions
- B seat height: measured according to the norm
PN EN 1335 - 1
- C chair height adjustment
- D backrest height adjustment
- E headrest height adjustment
- F dimensional width chair / base
- G seat width
- H backrest width
- I width between armrests
- K armrest height adjustment
- L backrest length
- M dimensional chair depth
- N seat depth adjustment / seat length

Dimensions are approximate and may vary depending on the selected product configuration. The requirements of the standard are always met.

materials available for collection

1st price group	Bond, Fenno, Keimo, Sawana
2nd price group	Alpa, Charles, Charles - Studio Design, Cura, Era - Studio Design, Pastel, Roccia
3rd price group	Ally, Ally SD, Alpa-Studio Design, Blazer, Cura SD, Easy SD, Oceanic, Rhythm, Silvertex , Silvertex - Studio Design, Synergy, Synergy - Studio Design
4th price group	Heritage, Oceanic-Studio Design, Remix - Studio Design
5th price group	Accessoire, Steelcut Trio 3
Leather	Leather
Metal	Metal - powder coated, Metal ALU/chrom

bejot:lift



