

# lift

## LF 10RE

: product card



A chair designed in line with the sit & stand philosophy. Together with the height-adjustable desk, it creates new standards for movement and flexibility in everyday office life.

**design:**  
**Bejot Development Team**

**Product website**  
[website link](#)



# bejot:

# collection advantages

## Sit & stand

The chair designed in conformity with the sit & stand philosophy, creates the new standards in terms of movement and flexibility in everyday office life. It will enable you to change a position from sitting to standing, whenever you need it.

## Maximum comfort

A seat made of the foam with two different densities provides better seating comfort. The resulting convexity in the front part prevents slipping off the seat in the working position.

## technical data

LF 10RE

Standard ●  
Option ○

### Mechanism

Rotatable, with height adjustment A ●

### Gaslift

Shock absorber - for seats for tables with a max height of 1100 mm (adjustment range of 200 mm) PG380 ●

Shock absorber - for seats for tables with a max height of 900 mm (adjustment range of 200 mm) PG300 ○

### Base

Plastic 5-star base (nylon) Ø700 + standard black ring (RB) 17 ●

Polished aluminium 5-star base (chrome effect) Ø690 22 ○

Powder coated aluminium 5-star base (colors according to Bejot sampler book) Ø 690 23 ○

Powder coated aluminium 5-star base (colors according to Bejot sampler book) Ø 700 SB 33 ○

### Armrests

Without arms ●

Armrests adjustable up and down (range: 80 mm) with a soft cover plus:

const. nylon black/thermo polyurethane armpad (TPU) fully recycling P48B ○

const. polished aluminium (chrome effect)/thermo polyurethane armpad (TPU) fully recycling P48C ○

### Seat and backrest connector

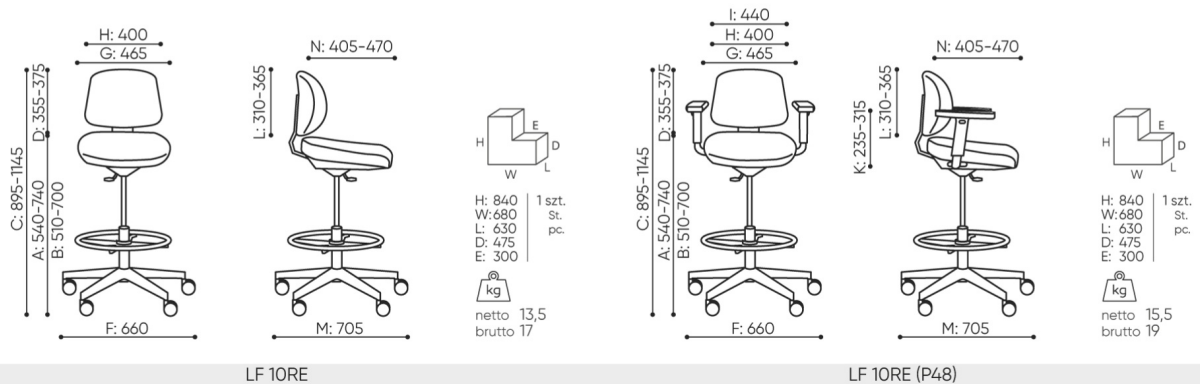
Fixed connection of the seat with the backrest (no height adjustment of the backrest) ●

### Castors

Universal castors on any surface Ø 50 function SIT & BREAK (lock while sitting) DRGDB ●

# dimensions

## LF 10RE



- A seat height: overall dimensions
- B seat height: measured according to the norm  
PN EN 1335 - 1
- C chair height adjustment
- D backrest height adjustment
- E headrest height adjustment
- F dimensional width chair / base
- G seat width
- H backrest width
- I width between armrests
- K armrest height adjustment
- L backrest length
- M dimensional chair depth
- N seat depth adjustment / seat length

Dimensions are approximate and may vary depending on the selected product configuration. The requirements of the standard are always met.

## materials available for collection

1st price group	Bond, Fenno, Keimo, Sawana
2nd price group	Alpa, Charles, Charles - Studio Design, Cura, Era - Studio Design, Pastel, Roccia
3rd price group	Ally, Ally SD, Alpa-Studio Design, Blazer, Cura SD, Easy SD, Oceanic, Rhythm, Silvertex , Silvertex - Studio Design, Synergy, Synergy - Studio Design
4th price group	Heritage, Oceanic-Studio Design, Remix - Studio Design
5th price group	Accessoire, Steelcut Trio 3
Leather	Leather
Metal	Metal - powder coated, Metal ALU/chrom

bejot:lift

