

# mate

## MT 230

: product card



The Mate collection includes office armchairs and conference chairs designed to create friendly and ergonomic work spaces. It is all about geometric shapes, high functionality and comfortable seats.

**design:**  
**Bejot Development Team**

**Product website**  
[website link](#)



# bejot:

# collection advantages

## technical data

MT 230

Standard ●  
Option ○

### Base

---

Powder coated (colors according to the Bejot sampler) ●

### Armpads

---

MT 220/ MT 230- Soft, black polyurethane - PU

PUP ●

MT 230 - black polyurethane - PU pipe type

PUT ○

### Slides

---

#### CODE

Without glides ●

Glides for ceramic floors, concrete and carpets

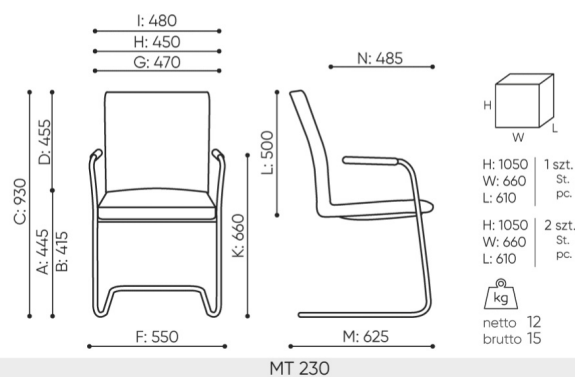
SK ○

Felt glides for wooden floors and floor panels

SF ○

# dimensions

## MT 230



- A seat height: overall dimensions
- B seat height: measured according to the norm  
PN EN 1335 - 1
- C chair height
- D backrest height
- E headrest height
- F dimensional width chair / base
- G seat width
- H backrest width
- I width between armrests
- K height from the floor to the armrest
- L backrest length
- M dimensional chair depth
- N seat depth / seat length

Dimensions are approximate and may vary depending on the selected product configuration. The requirements of the standard are always met.

## materials available for collection

1st price group	Bond, Fenno, Keimo, Sawana
2nd price group	Alpa, Charles, Charles - Studio Design, Cura, Era - Studio Design, Pastel, Roccia, Valencia
3rd price group	Ally, Ally SD, Alpa-Studio Design, Blazer, Cura SD, Easy SD, Oceanic, Silvertex , Silvertex - Studio Design, Synergy, Synergy - Studio Design, Valencia - Studio Design
4th price group	Heritage, Oceanic-Studio Design, Remix - Studio Design
5th price group	Accessoire, Steelcut Trio 3
Leather	Leather
Metal	Metal - powder coated

