

mate

MT 103

: product card



The Mate collection includes office armchairs and conference chairs designed to create friendly and ergonomic work spaces. It is all about geometric shapes, high functionality and comfortable seats.

design:
Bejot Development Team

Product website
[website link](#)



bejot:

collection advantages

functional & comfortable

Office chairs that have been created to create friendly and ergonomic work spaces. Mate stands for geometric shapes, high functionality and comfortable seating.

proven ergonomics

Mate complies with the requirements of the Workplace Regulation, which has been confirmed by a certificate.

technical data

MT 103

Standard ●
Option ○

bejot:mate

Mechanism

Synchro and self-weighing—the spring force automatically adapts to the weight of the sitting person, range of adjustable recline angle(backrest:20°,seat:5°), with an adjustable seat depth (range: 58mm)	B+X	●
Fast-synchro with backrest fixed in 4 positions (range of recline angle: backrest: 20°, seat: 8°)	FS	○
Fast-synchro with backrest fixed in 4 positions (range of recline angle: backrest: 20°, seat: 8°), with seat depth adjustment (range: 58mm)	FS+X	○
Synchro mechanism with the backrest fixed in 4 positions (adjustable recline: backseat: 22°, seat: 13°), with an adjustable seat depth	M+X	○

Additional adjustment

Backrest height adjustment (65 mm range)		●
Adjustable lumbar support depth (range: 15 mm)	BLS	○

Base

Plastic 5-star base (nylon) Ø700 + standard black ring (RB)	17	●
Polished aluminium 5-star base (chrome effect) Ø690	22	○
Powder coated aluminium 5-star base (colors according to Bejot sampler book) Ø 690	23	○
Powder coated aluminium 5-star base (colors according to Bejot sampler book) Ø 700 SB	33	○
Powder coated black aluminium 5-star base Ø 700 SBF Flexi (enabling 3D movement)	35	○

Armrests

Without arms		●
Armrests adjustable up and down (range: 80 mm) with a soft cover plus:		
const. nylon black/thermo polyurethane armpad (TPU) fully recycling	P48B	○
const. polished aluminium (chrome effect)/thermo polyurethane armpad (TPU) fully recycling	P48C	○
const. nylon black/armpad PU adjustment width. (range 30 mm) and front-back (range 50 mm)	P52B	○

Castors

Hard castors for soft floors Ø 65 with auto-brake	DEMA	●
Soft castors for hard floors Ø 65 with auto-brake	DEMAD	○

Headrest

Adjustable up and down (range: 60 mm) and at an angle (120° recline angle)/ upholstered with black leather		●
--	--	---

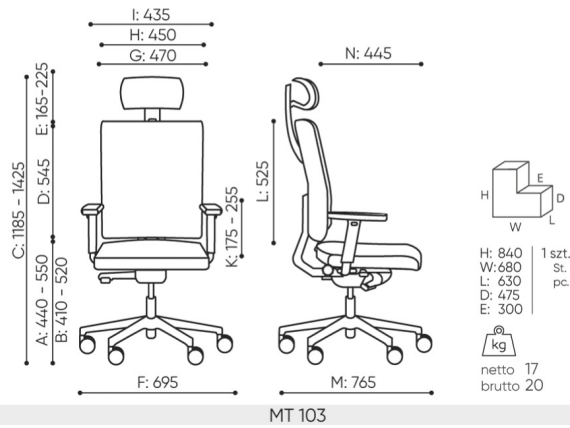
Adjustable up and down (range: 60 mm) and at an angle (120° recline angle)/ upholstered with fabric

○

bejot:mate

dimensions

MT 103



- A seat height: overall dimensions
- B seat height: measured according to the norm
PN EN 1335 - 1
- C chair height adjustment
- D backrest height adjustment
- E headrest height adjustment
- F dimensional width chair / base
- G seat width
- H backrest width
- I width between armrests
- K armrest height adjustment
- L backrest length
- M dimensional chair depth
- N seat depth adjustment / seat length

Dimensions are approximate and may vary depending on the selected product configuration. The requirements of the standard are always met.

materials available for collection

1st price group	Bond, Fenno, Keimo, Sawana
2nd price group	Alpa, Charles, Charles - Studio Design, Cura, Era - Studio Design, Pastel, Roccia, Valencia
3rd price group	Ally, Ally SD, Alpa-Studio Design, Blazer, Cura SD, Easy SD, Oceanic, Rhythm, Silvertex , Silvertex - Studio Design, Synergy, Synergy - Studio Design, Valencia - Studio Design
4th price group	Heritage, Oceanic-Studio Design, Remix - Studio Design
5th price group	Accessoire, Steelcut Trio 3
Leather	Leather
Membrane	Membrane Kyos, Momo, Milla
Metal	Metal - powder coated, Metal ALU/chrom

bejot:mate

