

momo

MO H

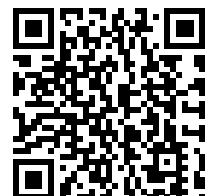
: product card



A bold image is something that distinguishes the Momo collections. The characteristic lines of the design emanate the pure dynamics and sporty style. The Momo is supposed to give joy of its everyday use and emphasise an individuality of the user.

design:
Ronald Straubel

Product website
[website link](#)



bejot:

collection advantages

Hokers

Barstools complement the Momo collection. Hokers are dedicated to tables 1100 mm and 900 mm high.

Simple and elegant

Momo hokers have a very simple, but at the same time elegant form that will match any interior and ideally complement the decor.

technical data

MO H

Standard ●
Option ○

Base

- Powder painted (colors according to the Bejot sampler book) ●
- Chrome ○

MO HN - dedicated to tables with a height of 900 mm

MO H - dedicated to tables with a height of 1100 mm

Feet

CODE

- Spherical feet ●

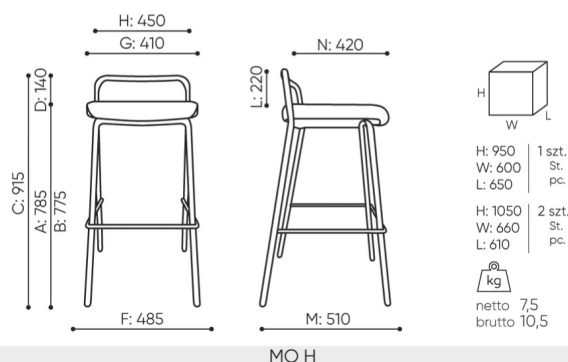
Additional equipment

CODE

- Panel protecting the seat during the stacking function CP ●

dimensions

MO H



- A seat height: overall dimensions
- B seat height: measured according to the norm
PN EN 1335 - 1
- C chair height
- D backrest height
- E headrest height
- F dimensional width chair / base
- G seat width
- H backrest width
- I width between armrests
- K height from the floor to the armrest
- L backrest length
- M dimensional chair depth
- N seat depth / seat length

Dimensions are approximate and may vary depending on the selected product configuration. The requirements of the standard are always met.

materials available for collection

1st price group	Bond, Fenno, Keimo, Sawana
2nd price group	Alpa, Charles, Charles - Studio Design, Cura, Era - Studio Design, Pastel, Roccia, Valencia
3rd price group	Ally, Ally SD, Alpa-Studio Design, Blazer, Cura SD, Easy SD, Oceanic, Silvertex , Silvertex - Studio Design, Synergy, Synergy - Studio Design, Valencia - Studio Design
4th price group	Heritage, Oceanic-Studio Design, Remix - Studio Design
5th price group	Accessoire, Steelcut Trio 3
Leather	Leather
Metal	Metal - powder coated

bejot:momo

