

momo

MO 102 black

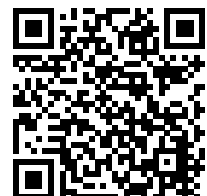
: product card



A bold image is something that distinguishes the Momo collections. The characteristic lines of the design emanate the pure dynamics and sporty style. The Momo is supposed to give joy of its everyday use and emphasise an individuality of the user.

design:
Ronald Straubel

Product website
[website link](#)



bejot:

collection advantages

pure dynamism

A bold image is what sets the Momo collection apart. The distinctive design lines exude pure dynamism and sporty style. Momo is meant to give joy in everyday use and emphasise the individuality of the user.

high quality

A bold image is what sets the Momo collection apart. The distinctive design lines exude pure dynamism and sporty style. Momo is meant to give joy in everyday use and emphasise the individuality of the user.

proven ergonomics

Momo meets the requirements of the Workplace Regulation, which has been certified.

technical data

MO 102 black

Standard ●
Option ○

Mechanism

Synchro and self-weighting—the spring force automatically adapts to the weight of the sitting person, range of adjustable recline angle(backrest:20°,seat:5°), with an adjustable seat depth (range: 58mm)	B+X	●
Fast-synchro with backrest fixed in 4 positions (range of recline angle: backrest: 20°, seat: 8°)	FS	○
Fast-synchro with backrest fixed in 4 positions (range of recline angle: backrest: 20°, seat: 8°), with seat depth adjustment (range: 58mm)	FS+X	○
Synchro mechanism with the backrest fixed in 4 positions (adjustable recline: backseat: 22°, seat: 13°), with an adjustable seat depth	M+X	○

Additional adjustment

Adjustable lumbar support height		●
Backrest without lumbar support		○

The backrest

Black mesh CLASSIC	M08	●
Light grey mesh CLASSIC	M09	○

Base

Black nylon 5-star base reinforced with glass fiber Ø700	18	●
Polished aluminium 5-star base (chrome effect) Ø690	22	○
Powder coated aluminium 5-star base (colors according to Bejot sampler book) Ø 690	23	○
Powder coated aluminium 5-star base (colors according to Bejot sampler book) Ø 700 SB	33	○
Powder coated black aluminium 5-star base Ø 700 SBF Flexi (enabling 3D movement)	35	○

Armrests

Without arms		●
Armrests adjustable up and down (range: 80 mm) with a soft cover plus:		
const. nylon black/thermo polyurethane armpad (TPU) fully recycling	P48B	○
const. polished aluminium (chrome effect)/thermo polyurethane armpad (TPU) fully recycling	P48C	○
black construction, soft polyurethane (TPC) pad, adjustable front-back (range 50 mm) and sideways (range +/- 30°), additional armrests width adjustment (range 38mm)	P60B	○

Castors

Hard castors for soft floors Ø 65 with auto-brake

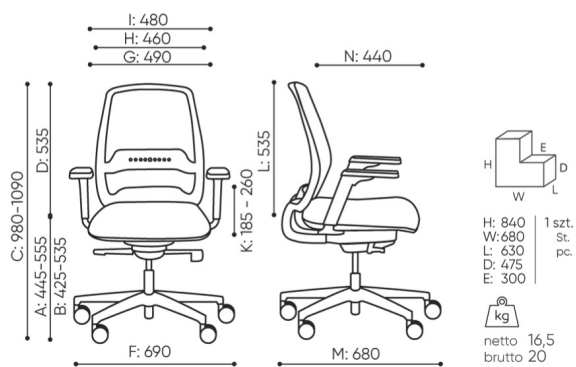
DEMA ●

Soft castors for hard floors Ø 65 with auto-brake

DEMAD ○

dimensions

MO 102 black



MO 102

- A seat height: overall dimensions
- B seat height: measured according to the norm
PN EN 1335 - 1
- C chair height adjustment
- D backrest height adjustment
- E headrest height adjustment
- F dimensional width chair / base
- G seat width
- H backrest width
- I width between armrests
- K armrest height adjustment
- L backrest length
- M dimensional chair depth
- N seat depth adjustment / seat length

Dimensions are approximate and may vary depending on the selected product configuration. The requirements of the standard are always met.

materials available for collection

1st price group	Bond, Fenno, Keimo, Sawana
2nd price group	Alpa, Charles, Charles - Studio Design, Cura, Era - Studio Design, Pastel, Roccia, Valencia
3rd price group	Ally, Ally SD, Alpa-Studio Design, Blazer, Cura SD, Easy SD, Oceanic, Rhythm, Silvertex , Silvertex - Studio Design, Synergy, Synergy - Studio Design, Valencia - Studio Design
4th price group	Heritage, Oceanic-Studio Design, Remix - Studio Design
5th price group	Accessoire, Steelcut Trio 3
Leather	Leather
Membrane	Membrane Kyos, Momo, Milla
Metal	Metal - powder coated, Metal ALU/chrom

bejot:momo

