

orte

OT 3DH 4R

: product card



The Orte collection is a wide range of chairs, hockers, benches and tables , which conceal functionality and versatility. The lightness of construction goes hand in hand with high durability confirmed by laboratory tests. The collection has been a bestseller in our offer for many years.

design:
Włodzimierz Orsztynowicz

Product website
[website link](#)



bejot:

collection advantages

wide possibilities

The chair's simplicity of design and wide positioning options make Orte ideal for everyday use in the office, home, restaurant, lobby, canteen and public spaces.

distinctive stitching

A characteristic feature of the Orte 3DH is the stitching. The use of contrasting threads is an option.

technical data

OT 3DH 4R

Standard ●
Option ○

Mechanism

Rotatable, without height adjustment	A1	●
Rotable mechanism with 3d motion function (forward, backward and sideways) without height adjustment	O4	○

Base

Polished aluminium 4-star base (chrome effect) Ø700	38	●
Powder coated aluminium 4-star base (colors according to Bejot sampler book) Ø700	39	○

Armrests

Without arms		●
Made of Ø18 pipe, powder coated without an pad	P24P	○
Powder coated armrests + leather pad	P21P	○

Feet

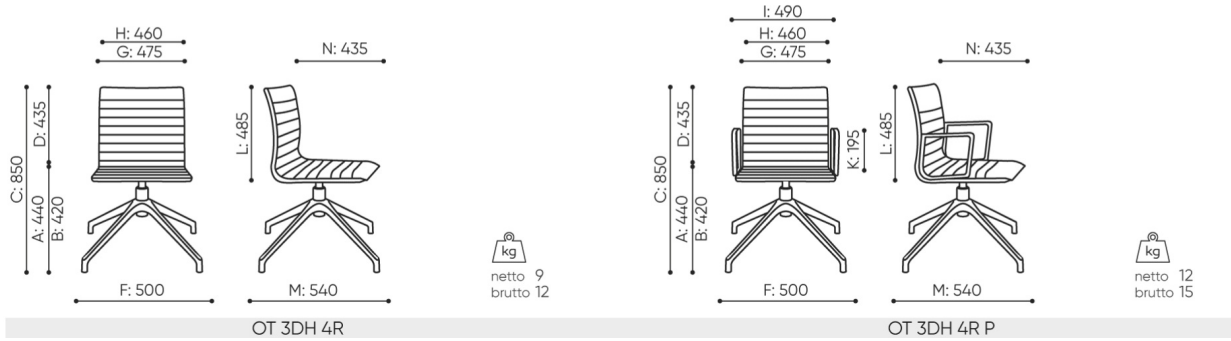
Feet on ceramic, concrete and carpet floors	TK	●
Felt feet on wooden floors and panels	TF	○

Stitches

Stitches in the colour of upholstery.		●
White, grey, orange, red, green or black stitches for leather-upholstered armchairs or for keimo, valencia, silvertex collection upholstery.		○

dimensions

OT 3DH 4R



- A seat height: overall dimensions
- B seat height: measured according to the norm
PN EN 1335 - 1
- C chair height
- D backrest height
- E headrest height
- F dimensional width chair / base
- G seat width
- H backrest width
- I width between armrests
- K height from the floor to the armrest
- L backrest length
- M dimensional chair depth
- N seat depth / seat length

Dimensions are approximate and may vary depending on the selected product configuration. The requirements of the standard are always met.

materials available for collection

1st price group	Bond, Fenno, Keimo, Sawana
2nd price group	Alpa, Charles, Charles - Studio Design, Cura, Era - Studio Design, Roccia, Valencia
3rd price group	Ally, Ally SD, Blazer, Cura SD, Easy SD, Oceanic, Silvertex , Silvertex - Studio Design, Synergy, Synergy - Studio Design, Valencia - Studio Design
4th price group	Oceanic-Studio Design, Remix - Studio Design
Leather	Leather
Metal	Metal - powder coated, Metal ALU/chrom
Decorative stitch	Decorative stitch

bejot:orte

