

orte

OT AH 260

: product card



The Orte collection is a wide range of chairs, hockers, benches and tables , which conceal functionality and versatility. The lightness of construction goes hand in hand with high durability confirmed by laboratory tests. The collection has been a bestseller in our offer for many years.

design:
Włodzimierz Orsztynowicz

Product website
[website link](#)



bejot:

collection advantages

functionality & lightness

By definition, Orte is an economic form that conceals functionality and versatility. The lightness of the design goes hand in hand with certified durability.

many possibilities

Three models with different bases are available: with and without swivel mechanism with castors, as well as on four legs with castors.

technical data

OT AH 260

Standard ●
Option ○

Base

Powder painted (colors according to the Bejot sampler) ●

Armrests

Without arms ●

Made of Ø18 pipe, powder coated without an pad P24P ○

Powder coated armrests + leather pad P21P ○

Castors

CODE

Hard castors for soft floors Ø 65 with auto-brake DEMA ●

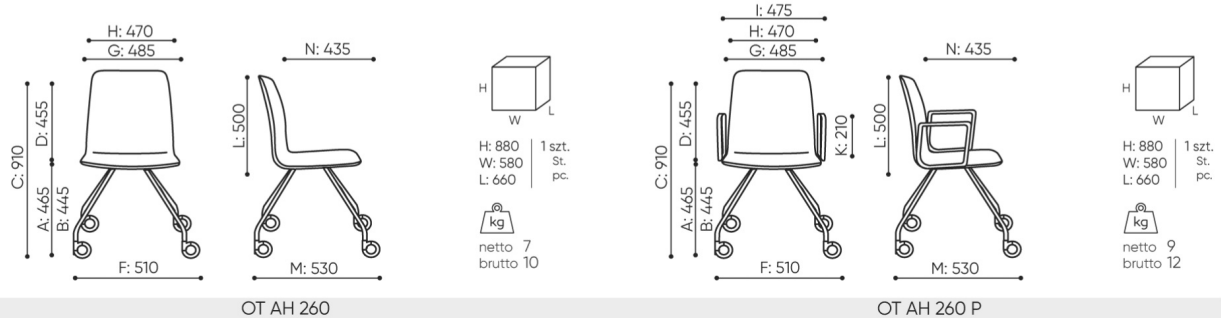
Soft castors for hard floors Ø 65 with auto-brake DEMAD ○

Universal castors, chrome DEMD-C ○

Universal castors without brake, color white RL W4 ○

dimensions

OT AH 260



- A seat height: overall dimensions
- B seat height: measured according to the norm PN EN 1335 - 1
- C chair height
- D backrest height
- E headrest height
- F dimensional width chair / base
- G seat width
- H backrest width
- I width between armrests
- K height from the floor to the armrest
- L backrest length
- M dimensional chair depth
- N seat depth / seat length

Dimensions are approximate and may vary depending on the selected product configuration. The requirements of the standard are always met.

materials available for collection

1st price group	Bond, Fenno, Keimo, Sawana
2nd price group	Alpa, Charles, Charles - Studio Design, Cura, Era - Studio Design, Roccia, Valencia
3rd price group	Ally, Ally SD, Alpa-Studio Design, Blazer, Cura SD, Easy SD, Oceanic, Silvertex , Silvertex - Studio Design, Synergy, Synergy - Studio Design, Valencia - Studio Design
4th price group	Oceanic-Studio Design, Remix - Studio Design
5th price group	Steelcut Trio 3
Leather	Leather
Metal	Metal - powder coated

bejot:orte

