

ox:co_small

OX S H

: product card



A smaller version of the extremely popular chair collection, its well-known design retained in a smaller shell form. With its new dimensions, the chair takes up less space, making it lighter and more mobile. Ox:co small strikes the perfect balance between design, functionality and price.

design:
Bejot Development Team

Product website
[website link](#)



bejot:

collection advantages

Comfortable bar chair

The bar stools from the Ox:co small collection offer maximum seating comfort with a stylish shape at the same time. The bucket adjusts to the line of the back and provides excellent support for a fatigued spine. The metal frame features a comfortable footrest.

Bar stools are becoming more and more common. They appear not only in pubs and cafes, but are also often used in offices and homes.

Ox:co is a popular collection designed by Włodzimierz Orsztynowicz, which has been enthusiastically bought by our customers for years. The mini version is a well-known design retained in a smaller bucket form.

technical data

OX S H

Standard ●
Option ○

Base

Powder painted (colors according to the Bejot sampler book) ●

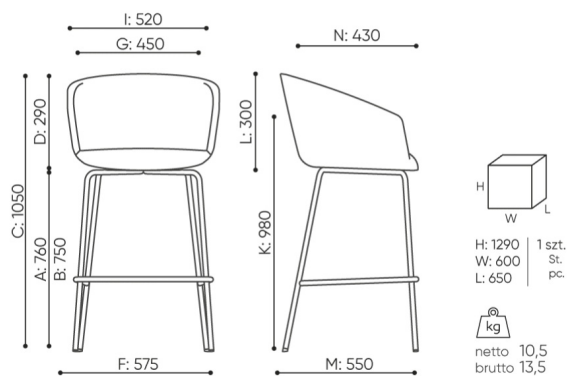
Feet

Feet for soft floor TK ●

Felt feet for hard floor TF ○

dimensions

OX S H



OX S H

- A seat height: overall dimensions
- B seat height: measured according to the norm
PN EN 1335 - 1
- C chair height
- D backrest height
- E headrest height
- F dimensional width chair / base
- G seat width
- H backrest width
- I width between armrests
- K height from the floor to the armrest
- L backrest length
- M dimensional chair depth
- N seat depth / seat length

Dimensions are approximate and may vary depending on the selected product configuration. The requirements of the standard are always met.

materials available for collection

1st price group	Bond, Fenno, Keimo, Sawana
2nd price group	Alpa, Charles, Charles - Studio Design, Cura, Pastel, Roccia, Valencia
3rd price group	Ally, Ally SD, Alpa-Studio Design, Blazer, Cura SD, Easy SD, Oceanic, Silvertex , Silvertex - Studio Design, Synergy, Synergy - Studio Design, Valencia - Studio Design
4th price group	Heritage, Oceanic-Studio Design, Remix - Studio Design
5th price group	Accessoire, Steelcut Trio 3
Leather	Leather
Metal	Metal - powder coated, Metal ALU/chrom

bejot:ox:co_small

