

ox:co_small

OXS LHN

: product card



A smaller version of the extremely popular chair collection, its well-known design retained in a smaller shell form. With its new dimensions, the chair takes up less space, making it lighter and more mobile. Ox:co small strikes the perfect balance between design, functionality and price.

design:
Bejot Development Team

Product website
[website link](#)



bejot:

collection advantages

A classic in a mini version

Ox:co is an extremely popular collection which became a permanent fixture in our clients' offices, homes and hotels. The mini version is a well-known design in a smaller bucket.

With its new size, the armchair takes up less space, is lighter and thus more mobile. Ox:co small is the perfect balance between design, functionality and price.

High and low benches

Two-person seats mounted on bases consistent with other products in the collection.

Using benches instead of chairs allows you to build a less formal atmosphere conducive to building good interpersonal relationships.

Ox:co small bench is a timeless design with character. They are perfect for public spaces, office relaxation areas and canteens.

technical data

OXS LHN

Standard ●
Option ○

Base

Powder painted (colors according to the Bejot sampler book) ●

Feet

Feet for soft floor TK ●

Felt feet for hard floor TF ○

Description

Code

Dedicated to tables with a height of 1100 mm OXS LH

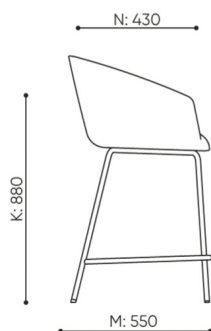
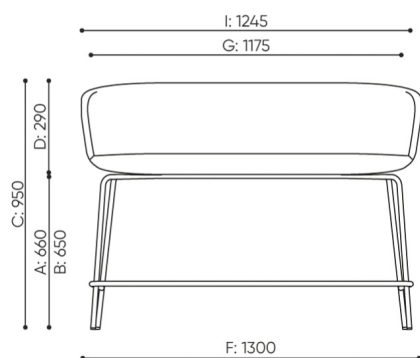
Dedicated to tables with a height of 900 mm OXS LHN

Dedicated to tables with a height of 740 mm OXS L215

bejot:ox:co_small

dimensions

OXS LHN



H: 1070 | 1 szt.
W: 1400 | St.
L: 850 | pc.



netto 19,5
brutto

OXS LHN

- A seat height: overall dimensions
- B seat height: measured according to the norm
PN EN 1335 - 1
- C chair height
- D backrest height
- E headrest height
- F dimensional width chair / base
- G seat width
- H backrest width
- I width between armrests
- K height from the floor to the armrest
- L backrest length
- M dimensional chair depth
- N seat depth / seat length

Dimensions are approximate and may vary depending on the selected product configuration. The requirements of the standard are always met.

materials available for collection

1st price group	Bond, Fenno, Keimo, Sawana
2nd price group	Alpa, Charles, Charles - Studio Design, Cura, Pastel, Roccia, Valencia
3rd price group	Ally, Ally SD, Alpa-Studio Design, Blazer, Cura SD, Easy SD, Oceanic, Silvertex , Silvertex - Studio Design, Synergy, Valencia - Studio Design
4th price group	Heritage, Oceanic-Studio Design
5th price group	Accessoire, Steelcut Trio 3
Leather	Leather

bejot:ox:co_small

