

quadra

QD R90

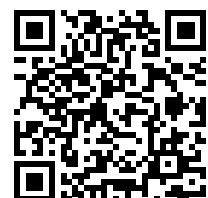
: product card



A system of simple sofas and poufs, enabling virtually any configuration. The modules can be used to create layouts that improve the functionality of rooms and passageways, creating discrete meeting and conversation spaces.

design:
Bejot Development Team

Product website
[website link](#)



bejot:

collection advantages

individual modular system

The wide range of modular elements allows you to arrange the space in any way you like - tailored to your needs.

new possibilities

An analysis of the most common difficulties resulting from the arrangement of rooms, such as the location of columns, niches, load-bearing constructions and sloping ceilings, has made it possible to create a universal collection to fit into any space.

technical data

QD R90

Standard ●
Option ○



QD R90



QD RO90 IN



QD RO90 OUT

bejot:quadra

Base

Powder painted (colors according to the Bejot sampler book) ●

Chromed ○

Slides

CODE

Glides for ceramic floors, concrete and carpets

PK ●

Felt glides for wooden floors and floor panels

PF ○

Additional equipment

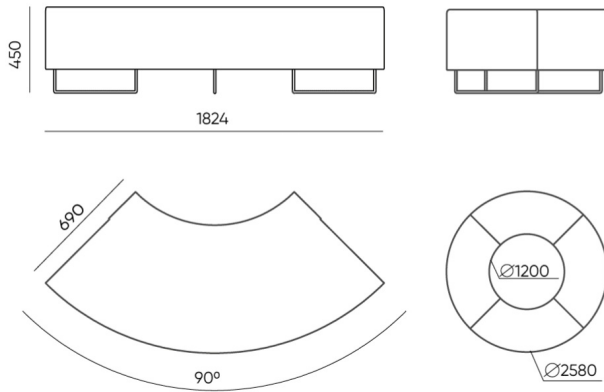
CODE

The seat connector to connect two seats (set)

L-PQ ○

dimensions

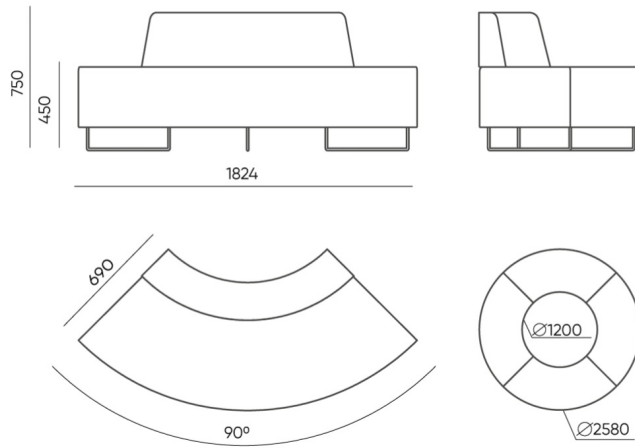
QD R90



H
W
L
H: 500 | 1 szt.
W: 1840 | St.
L: 800 | pc.

kg
netto 31
brutto 37

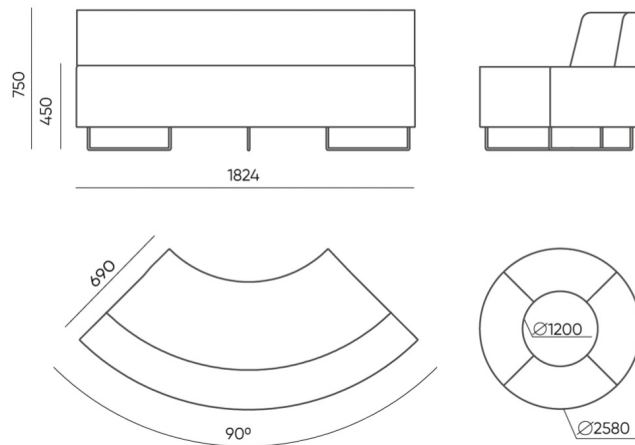
QD R90



H
W
L
H: 750 | 1 szt.
W: 1840 | St.
L: 800 | pc.

kg
netto 36
brutto 42

QD RO90 IN



H
W
L
H: 750 | 1 szt.
W: 1840 | St.
L: 800 | pc.

kg
netto 41
brutto 46

QD RO90 OUT

bejot:quadra

- A** seat height: overall dimensions
- B** seat height
- C** chair height: overall dimensions
- D** backrest height
- F** chair width: overall dimensions
- G** seat width
- H** backrest width
- K** height from the floor to the armrest
- M** chair depth: overall dimensions
- N** seat depth / seat length

Dimensions are approximate and may vary depending on the selected product configuration. The requirements of the standard are always met.

materials available for collection

1st price group	Bond, Fenno, Keimo, Sawana
2nd price group	Alpa, Charles, Charles - Studio Design, Cura, Pastel, Roccia, Valencia
3rd price group	Ally, Ally SD, Alpa-Studio Design, Blazer, Cura SD, Easy SD, Oceanic, Silvertex , Synergy, Synergy - Studio Design
4th price group	Oceanic-Studio Design, Remix - Studio Design
5th price group	Steelcut Trio 3
Tabletop	Laminated tabletop
Metal	Metal - powder coated

