

selva

SV mobile board

: product card



Acoustic panels and screens that effectively reduce noise and improve comfort in open space offices. Designed to absorb the sounds generated by noisy office equipment and co-worker conversations, they allow you to stay more focused.

design:
Ronald Straubel

Product website
[website link](#)



bejot:

collection advantages

Take care of your work comfort

The Selva is a response to the need for the greater work comfort, thanks to improved acoustic conditions in the open office space. It provides a possibility of reducing the perceived noise by an average of 8dB, i.e. nearly a half.

Sound absorption

The products from this collection work perfectly not only between work stations, but also as a complement to the interior in order to absorb sounds generated via the loud office equipment or colleagues.

Acoustic parameters

Sound absorption coefficient α_w according to PN-EN ISO 11654:1999 - **0,6 (MH)**

Sound absorption class acc. to PN-EN ISO 11654:1999 - **C**

technical data

SV mobile board

Standard ●
Option ○

Base

With two arms and castors (soft, with brake), fastened with screws to the bottom of the screen, powder coated

BCW

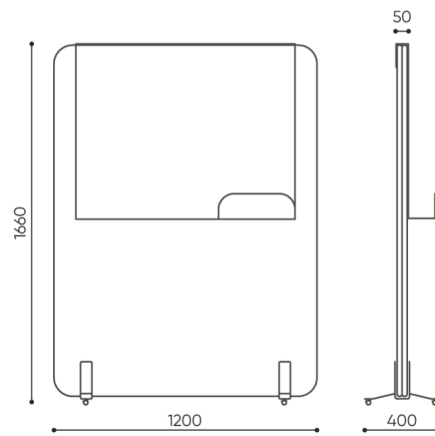
Board

Dry erase, magnetic, powder coated in white or black gloss

SV ○ MBL

dimensions

SV mobile board



SV SC1200 + BCW + SV O MBL

- H** height: overall dimensions
- W** width: overall dimensions
- L** depth: overall dimensions

Dimensions are approximate and may vary depending on the selected product configuration. The requirements of the standard are always met.

materials available for collection

1st price group	Bond, Fenno, Sawana
2nd price group	Alpa, Charles, Charles - Studio Design, Cura, Era - Studio Design, Hush, Pastel, Roccia
3rd price group	Ally, Ally SD, Alpa-Studio Design, Blazer, Cura SD, Easy SD, Oceanic, Rhythm, Synergy, Synergy - Studio Design
4th price group	Heritage, Oceanic-Studio Design, Remix - Studio Design
5th price group	Accessoire, Steelcut Trio 3
Metal	Metal - powder coated

bejot:selva

