

be:basic offer

SH 215 be:basic

: product card



Products withdrawn from the offer with extended lead time.
Available only while stock lasts.

design:

Product website:
[\(click\)](#)



bejot:

collection advantages

Dynamic form

The Shell is a family of the avant-garde conference chairs that stand out with its original and dynamic form, based on a combination of the plastic elements and a lightweight metal frame.

Easy to maintain

A wide selection of the colours of the plastic elements and a chromed frame make the Shell perfectly fit into a style of the modern lecture halls, waiting rooms and reception desks, and thanks to a fact that it is easy to be kept clean, the chair also works well in the social rooms.

technical data

SH 215 be:basic

Standard ●
Option ○

Base

Chromed

CODE

Additional equipment

SH 215 2N - Upholstered seat cover

SH 215 - Hook chair connector

CODE

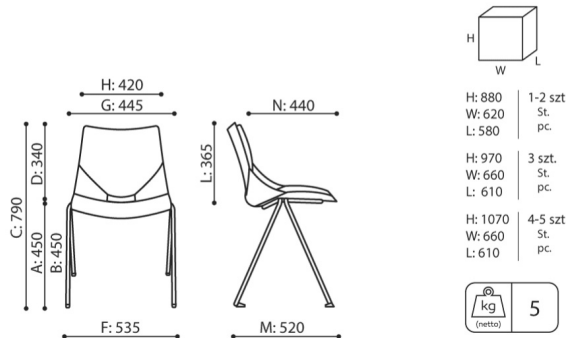
2N

K

Product available while stocks last

dimensions

SH 215 be:basic



SH 215 1N

- A seat height:
overall dimensions
- B seat height:
measured
according to the
norm PN EN 13335 -
1
- C chair height
- D backrest height
- E headrest height
- F dimensional width
chair / base
- G seat width
- H backrest width
- I width between
armrests
- K height from the
floor to the
armrest
- L backrest length
- M dimensional chair
depth
- N seat depth / seat
length

Dimensions are approximate and may vary depending on the selected product configuration. The requirements of the standard are always met.

materials available for collection

1st price group	Bond, Fenno, Keimo, Sawana
2nd price group	Alaska, Charles, Charles - Studio Design, Cura, Era - Studio Design, Pastel, Roccia, Valencia
3rd price group	Ally, Ally SD, Blazer, Cura SD, Easy SD, Oceanic, Silvertex, Silvertex - Studio Design, Synergy, Synergy - Studio Design, Valencia - Studio Design
4th price group	Heritage, Oceanic-Studio Design, Remix - Studio Design
5th price group	Accessoire*, Steelcut Trio 3
Leather	Leather
Plastic	Plastic Shell

be:basic offer

SH 220 be:basic

: product card



Products withdrawn from the offer with extended lead time.
Available only while stock lasts.

design:

bejot:

Product website:
[\(click\)](#)



collection advantages

Dynamic form

The Shell is a family of the avant-garde conference chairs that stand out with its original and dynamic form, based on a combination of the plastic elements and a lightweight metal frame.

Easy to maintain

A wide selection of the colours of the plastic elements and a chromed frame make the Shell perfectly fit into a style of the modern lecture halls, waiting rooms and reception desks, and thanks to a fact that it is easy to be kept clean, the chair also works well in the social rooms.

technical data

SH 220 be:basic

Standard ●
Option ○

Base

Chromed

CODE

Additional equipment

CODE

SH 220 2N - Upholstered seat cover

2N

SH 220 - Right anti-panic writing desk

PP

SH 220 - Left anti-panic writing desk

PL

SH 220 - Hinge chair connector

L

Product available while stocks last

materials available for collection

1st price group

Bond, Fenno, Keimo, Sawana

2nd price group

Alaska, Charles, Charles - Studio Design, Cura, Era - Studio Design, Pastel, Roccia, Valencia

3rd price group

Ally, Ally SD, Blazer, Cura SD, Easy SD, Oceanic, Silvertex, Silvertex - Studio Design, Synergy, Synergy - Studio Design, Valencia - Studio Design

4th price group

Heritage, Oceanic-Studio Design, Remix - Studio Design

5th price group

Accessoire*, Steelcut Trio 3

Leather

Leather

Plastic

Plastic Shell

bejot:be:basic offer

be:basic offer

SH 22X be:basic

: product card



bejot:

Product website:
(click)



The Shell is a family of the avant-garde conference chairs that stand out with its original and dynamic form, based on a combination of the plastic elements and a lightweight metal frame.
Products withdrawn from the offer with extended lead time.

Available only while stock lasts.

Easy to maintain

A wide selection of the colours of the plastic elements and a chromed frame make the Shell perfectly fit into a style of the modern lecture halls, waiting rooms and reception desks, and thanks to a fact that it is easy to be kept clean, the chair also works well in the social rooms.

technical data

SH 22X be:basic

Standard ●
Option ○

Base

The powder painted construction in ALU + black bar
The construction is made of polished aluminum (chrome effect) + black bar
Black construction made of high-strength polymer (nylon) + black bar

CODE

B5AL
B5CH
B5NL

Additional equipment

A melamine table top instead of the seat

CODE

BM

Code name marks

CODE

2 seats

SH 222

3 seats

SH 223

4 seats

SH 224

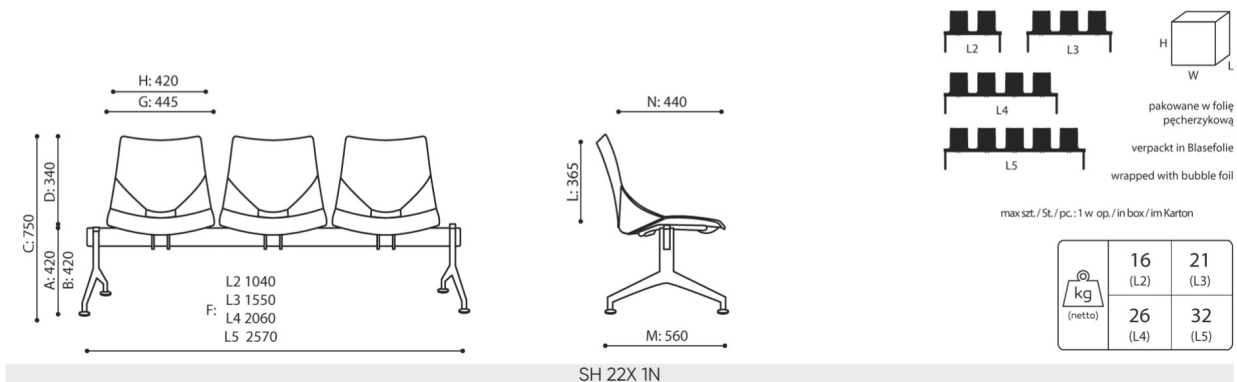
5 seats

SH 225

Product available while stocks last

dimensions

SH 22X be:basic



- A seat height:
overall dimensions
- B seat height:
measured
according to the
norm PN EN 1335 -
1
- C chair height
- D backrest height
- E headrest height
- F dimensional width
chair / base
- G seat width
- H backrest width
- I width between
armrests
- K height from the
floor to the
armrest
- L backrest length
- M dimensional chair
depth
- N seat depth / seat
length

Dimensions are approximate and may vary depending on the selected product configuration. The requirements of the standard are always met.

materials available for collection

1st price group	Bond, Fenno, Keimo, Sawana
2nd price group	Alaska, Charles, Charles - Studio Design, Cura, Era - Studio Design, Pastel, Roccia, Valencia
3rd price group	Ally, Ally SD, Blazer, Cura SD, Easy SD, Oceanic, Silvertex, Silvertex - Studio Design, Synergy, Synergy - Studio Design, Valencia - Studio Design
4th price group	Heritage, Oceanic-Studio Design, Remix - Studio Design
5th price group	Accessoire*, Steelcut Trio 3
Leather	Leather
Plastic	Plastic Shell