



split SP 215

Comfort & durability

What is a secret of the Split chair? A soft and flexible bucket, for those who are searching for comfort and strong feet for those who expect strength.

Perfect outside

Simplicity in the purest form and a possibility of using the product outside are the unquestionable advantages of this chair. The Split was designed by the Italian designer Francesco Meda.

SP 215 / Technical data

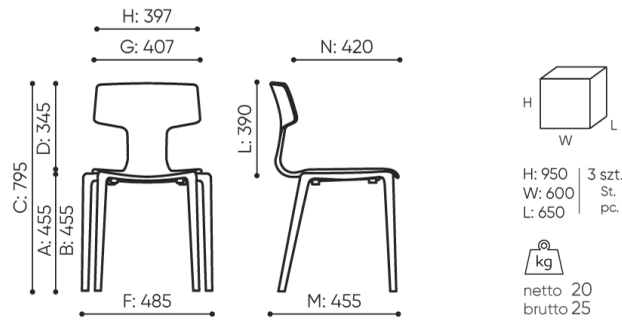
Standard Option

| Base | CODE |
|-----------------------------|----------------------------------|
| The whole - plastic | <input checked="" type="radio"/> |
| Feet | CODE |
| Universal feet, transparent | <input checked="" type="radio"/> |
| Color | CODE |
| White | NCS S 0500-N |
| Red | NCS S 1085-Y90R |
| Clared | NCS S 5540-Y90R |
| Dark green | NCS S 8010-G10Y |
| Warm gray | NCS S 6005-Y20R |
| Black | NCS S 9000-N |

SP 215 / Dimensions

Dimensions are approximate and may vary depending on the selected product configuration. The requirements of the standard are always met.

- A seat height: overall dimensions
- B seat height: measured according to the norm PN EN 1335 - 1
- C chair height
- D backrest height
- E headrest height
- F dimensional width chair / ø base
- G seat width
- H backrest width
- I width between armrests
- K height from the floor to the armrest
- L backrest length
- M dimensional chair depth
- N seat depth / seat length



SP 215