

tables:hr

TB HR

: product card



Desks designed with ergonomics and flexibility in mind. Enabling a quick and simple height adjustment of the top, they encourage frequent position changes to increase energy and productivity.

design:
Bejot Development Team

Product website
[website link](#)



bejot:

collection advantages

Sit&stand desk

Designed for movement and flexibility. Simple and quick electrical adjustment encourages frequent repositioning to increase energy and productivity.

Smart controller and mobile app

The strengths of Bejot adjustable desks are the built-in controller that remembers your preferred (personalised) four tabletop height settings so that returning to your favourite position will not be a problem. The desk can be controlled at the touch of a button or via a mobile or computer app, thanks to Bluetooth connectivity. The integrated display indicates the current height of the desk and the installed app reminds you to change your position from sitting to standing.

technical data

TB HR

Standard ●
Option ○

Height adjustment

Desk adjustment range 610-1260 mm

Base

Powder painted black RAL 9005 or white RAL 9016 ●

Tabletops dimensions

140 x 80 cm	TB HR14 D80
160 x 80 cm	TB HR16 D80
200 x 100 cm	TB HR20 D10

Controller

A controller with a colour display, Bluetooth and a dedicated mobile application that allows remote control, remembering preferred settings. DPG1C ●

Tabletop mounted mediaport

Round PIX mediaport (black) - 1 voltage socket 230 V	[type]1V	○
Round PIX mediaport (black) - 2 x USB charger	MICC	○
Inductive charger	IC	○

Accessories for cable organization (recommended for media port)

Cable cover (under a tabletop) for TB HR14 D80 tabletops	TB CM H S	○
Cable cover (under a tabletop) for TB HR16 D80 and TB HR20 D10 table tops	TB CM H L	○

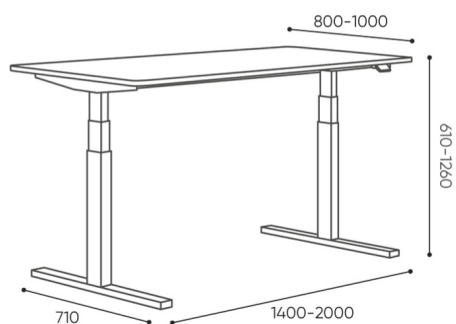
Warning

Please check in advance if the product dimension matches the dimensions of the elevator and the entrance to the building where the product will be installed.

bejot:tables:hr

dimensions

TB HR



waga samej konstrukcji
weight of the base itself
Gewicht der Gestell selbst



netto 26
brutto 29

TB HR

Dimensions are approximate and may vary depending on product configuration configuration. Standards are always taken into account.

materials available for collection

Tabletop

Laminated tabletop

Metal

Metal white/black

