

u_floe

UF 22

: product card



The U_floe collection was inspired by ice floes, forming harmonising patterns at random. The individual elements of the collection, combined in the chosen arrangement, provide each user with a touch of intimacy while fulfilling multiple functions.

design:
Paweł Grajkowski

Product website
[website link](#)



bejot:

collection advantages

Systems full of harmony

An inspiration for the creation of the U_floe were the ice floes, which in a completely random way create the interesting, harmonising systems. The individual elements of the collection, combined in the selected system, provide each user with a bit of intimacy while fulfilling many functions.

Create warm atmosphere

An addition of the high tables, planters and racks for the plants enable to provide a perfect complementation of the space, creating a warm atmosphere and a comfortable and ergonomic workplace or resting place.



rod legs



wooden legs

bejot:u_floe

technical data

UF 22

Standard ●
Option ○



UF 2200



UF 2210



UF 2211

Base

- Powder painted rod base (colors according to the Bejot sampler book) ●
- Legs: solid oak wood - natural color (O1) ○
- Legs: wooden - coloring (O3) ○

Armrests

- Top of the armrest is upholstered in the same color as upholstery ●
- Top of the armrest (2 pcs.) upholstered in different color within the same upholstery group ○
- Top of the armrest (2 pcs.) upholstered with keimo or valencia, for armrests upholstered with fabric ○
- Top of the armrest (2 pcs.) upholstered with silvertex or leather, for armrests upholstered with fabric ○

Glides

Glides for ceramic floors, concrete and carpets

PK



Felt glides for wooden floors and floor panels

PF



Additional equipment

The seat connector to connect two seats (set)

L-PQ

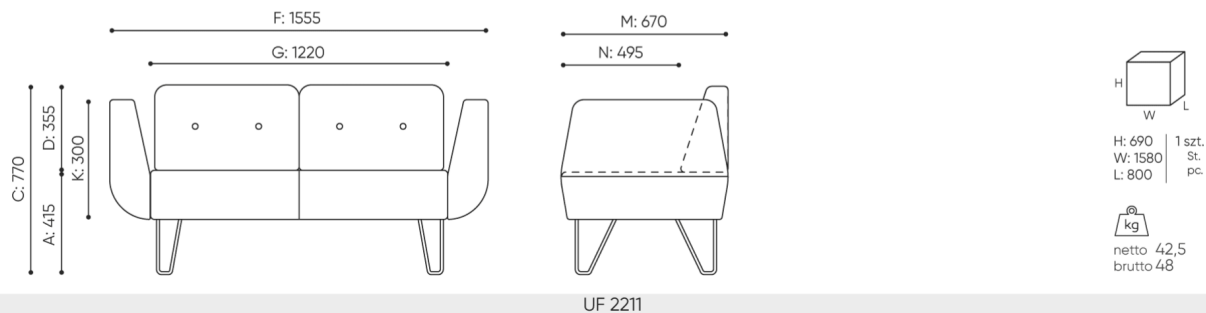


Mediaport (black-B frame): 1 x 230V socket + 2 x USB charger

[type]2VCC

dimensions

UF 22



- A seat height: overall dimensions
- B seat height
- C chair height: overall dimensions
- D backrest height
- F chair width: overall dimensions
- G seat width
- H backrest width
- K height from the floor to the armrest
- M chair depth: overall dimensions
- N seat depth / seat length

Dimensions are approximate and may vary depending on the selected product configuration. The requirements of the standard are always met.

materials available for collection

1st price group	Bond, Fenno, Keimo, Sawana
2nd price group	Alpa, Charles, Charles - Studio Design, Cura, Pastel, Roccia, Valencia
3rd price group	Ally, Ally SD, Alpa-Studio Design, Blazer, Cura SD, Easy SD, Oceanic, Silvertex , Silvertex - Studio Design, Synergy, Synergy - Studio Design, Valencia - Studio Design
4th price group	Heritage, Oceanic-Studio Design, Remix - Studio Design
5th price group	Accessoire, Steelcut Trio 3
Leather	Leather
Tabletop	Laminated tabletop
Wood	Solid oak wood
Metal	Metal - powder coated

bejot:u_floe

