

# u\_floe

UF 32

: product card



The U\_floe collection was inspired by ice floes, forming harmonising patterns at random. The individual elements of the collection, combined in the chosen arrangement, provide each user with a touch of intimacy while fulfilling multiple functions.

**design:**  
**Paweł Grajkowski**

**Product website**  
[website link](#)



# bejot:

# collection advantages

## Systems full of harmony

An inspiration for the creation of the U\_floe were the ice floes, which in a completely random way create the interesting, harmonising systems. The individual elements of the collection, combined in the selected system, provide each user with a bit of intimacy while fulfilling many functions.

## Create warm atmosphere

An addition of the high tables, planters and racks for the plants enable to provide a perfect complementation of the space, creating a warm atmosphere and a comfortable and ergonomic workplace or resting place.



rod legs



wooden legs

bejot:u\_floe

## technical data

UF 32

Standard ●  
Option ○



UF 32000



UF 32100



UF 32111

### Base

- Powder painted rod base (colors according to the Bejot sampler book) ●
- Legs: solid oak wood - natural color (O1) ○
- Legs: wooden - coloring (O3) ○

### Armrests

- Top of the armrest is upholstered in the same color as upholstery ●
- Top of the armrest (2 pcs.) upholstered in different color within the same upholstery group ○
- Top of the armrest (2 pcs.) upholstered with keimo or valencia, for armrests upholstered with fabric ○
- Top of the armrest (2 pcs.) upholstered with silvertex or leather, for armrests upholstered with fabric ○

## Glides

---

Glides for ceramic floors, concrete and carpets

PK



Felt glides for wooden floors and floor panels

PF



## Additional equipment

---

The seat connector to connect two seats (set)

L-PQ

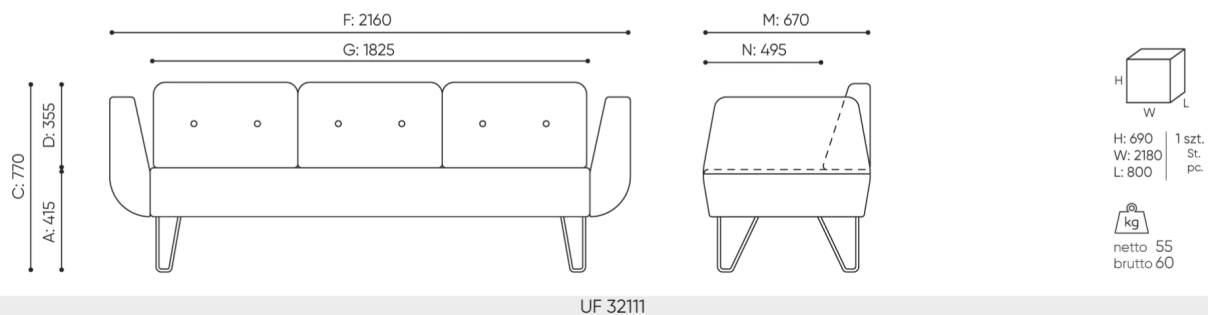


Mediaport (black-B frame): 1 x 230V socket + 2 x USB charger

[type]2VCC

# dimensions

UF 32



- A seat height: overall dimensions
- B seat height
- C chair height: overall dimensions
- D backrest height
- F chair width: overall dimensions
- G seat width
- H backrest width
- K height from the floor to the armrest
- M chair depth: overall dimensions
- N seat depth / seat length

Dimensions are approximate and may vary depending on the selected product configuration. The requirements of the standard are always met.

bejot:u\_floe

## materials available for collection

1st price group	Bond, Fenno, Keimo, Sawana
2nd price group	Alpa, Charles, Charles - Studio Design, Cura, Pastel, Roccia, Valencia
3rd price group	Ally, Ally SD, Alpa-Studio Design, Blazer, Cura SD, Easy SD, Oceanic, Silvertex , Silvertex - Studio Design, Synergy, Synergy - Studio Design, Valencia - Studio Design
4th price group	Heritage, Oceanic-Studio Design, Remix - Studio Design
5th price group	Accessoire, Steelcut Trio 3
Leather	Leather
Tabletop	Laminated tabletop
Wood	Solid oak wood
Metal	Metal - powder coated

bejot:u\_floe

