

umm

UM W 702

: product card



Armchairs with an original shape that are a perfect example of contemporary Italian design. The Umm collection is ideal for office, hotel and home relaxation areas. Offering privacy and tranquillity to the user, it provides the perfect conditions for relaxation.

design:
Edi & Paolo Ciani

Product website
[website link](#)



bejot:

collection advantages

Excellent comfort & a hint of privacy

The Umm is an elegant and comfortable armchair, with the original, round shapes. Providing the user with a bit of privacy, quietness and perfect comfort.

Quintessence of elegance

It is a chair with a fashionable organic shape and a body that is a quintessence of the elegant Italian style. The Umm collection is a perfect solution for the relaxation zones in the office, hotels, as well as at home.

technical data

UM W 702

Standard ●
Option ○

Base

- Solid oak wood - natural color (O1) ●
- Solid wood - black coloring (O3) ○

Additional equipment

- UM 702 - Decorative upholstery insert for groups + always made of leather ●

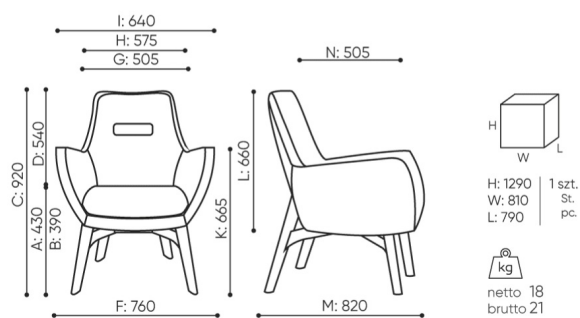
Stitches

- Stitches in the colour of upholstery ●
- White, grey, orange, red, green or black stitches for leather-upholstered armchairs ○

bejot:umm

dimensions

UM W 702



UM W 702

- A seat height: overall dimensions
- B seat height: measured according to the norm
PN EN 1335 - 1
- C chair height
- D backrest height
- E headrest height
- F dimensional width chair / base
- G seat width
- H backrest width
- I width between armrests
- K height from the floor to the armrest
- L backrest length
- M dimensional chair depth
- N seat depth / seat length

Dimensions are approximate and may vary depending on the selected product configuration. The requirements of the standard are always met.

materials available for collection

1st price group	Fenno
2nd price group	Alpa, Charles, Charles - Studio Design, Cura, Pastel, Roccia
3rd price group	Ally, Ally SD, Alpa-Studio Design, Blazer, Cura SD, Easy SD, Oceanic, Synergy, Synergy - Studio Design
4th price group	Heritage, Oceanic-Studio Design, Remix - Studio Design
5th price group	Steelcut Trio 3
Leather	Leather
Metal	Metal - powder coated, Metal ALU/chrom
Decorative stitch	Decorative stitch

bejot:umm

