

wei

WE 720

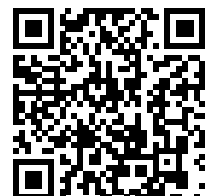
: product card



The one-of-a-kind design and high-quality materials make the chair timeless and versatile, ideal for any interior, such as a restaurant, conference room or dining room. The main theme of the project is nature. Simplicity and solid workmanship combined in a very practical, comfortable and lightweight but durable monolith.

design:
Henrik Schultz

Product website
[website link](#)



bejot:

collection advantages

created from nature

Wei is a simple line with a modern form and natural finish. A perfect example of the current Scandinavian design.

The main theme of the design is nature. The wood structure of the chair is clearly visible, with the chair itself being light and very practical. High-quality materials make Wei chairs timeless and durable.

wide range of possibilities

A wide range of natural veneer staining colours, armrests and an upholstered seat pad offering many design possibilities.

Models on a steel skid are also available.

All designs allow for stacking of up to 6 chairs.

technical data

WE 720

Standard ●
Option ○

Base

Base and shell are made of plywood with natural oak veneer

●

Color

Natural oak veneer - clear varnish matt

ONB

●

Natural oak veneer - black matt varnish (RAL 9005M)

O9005

○

Natural oak veneer - gray matt varnish (RAL 7045M)

O7045

○

Natural oak veneer - maroon matt varnish (RAL 3005M)

O3005

○

Natural oak veneer - green matt varnish (RAL 6005M)

O6005

○

Natural oak veneer - blue matt varnish (RAL 5007M)

O5007

○

Natural oak veneer - white matt varnish

O9003

○

Feet

Without feet (recommended for carpeted floors)

DF

●

Feet for ceramic and concrete floors

WK

○

Felt feet on wooden floors and panels

WF

○

Armrests

Powder painted metal + wooden armpad in the color of the shell

●

Description

Code

Natural oak veneer

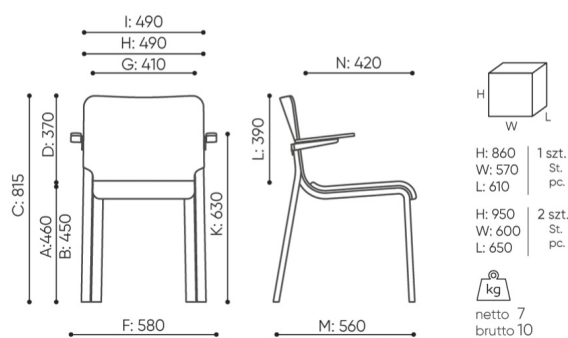
1N

Natural oak veneer + upholstered seat cover

2N

dimensions

WE 720



WE 720 2N

- A seat height: overall dimensions
- B seat height: measured according to the norm
PN EN 1335 - 1
- C chair height
- D backrest height
- E headrest height
- F dimensional width chair / base
- G seat width
- H backrest width
- I width between armrests
- K height from the floor to the armrest
- L backrest length
- M dimensional chair depth
- N seat depth / seat length

Dimensions are approximate and may vary depending on the selected product configuration. The requirements of the standard are always met.

materials available for collection

1st price group	Bond, Fenno, Keimo, Sawana
2nd price group	Alpa, Charles, Charles - Studio Design, Cura, Pastel, Roccia, Valencia
3rd price group	Ally, Ally SD, Alpa-Studio Design, Blazer, Cura SD, Easy SD, Oceanic, Silvertex , Silvertex - Studio Design, Synergy, Synergy - Studio Design, Valencia - Studio Design
4th price group	Heritage, Oceanic-Studio Design, Remix - Studio Design
5th price group	Accessoire, Steelcut Trio 3
Leather	Leather
Natural oak veneer	Natural oak veneer
Metal	Metal - powder coated

bejot:wei

