

# woodbe

WB 870

: product card



Solid oak chairs, hockers and benches with upholstered seats. The Woodbe collection combines minimalism, functionality and a love of natural materials. The structure of the furniture is made up of simple, distinctive geometric shapes with a characteristic skid at the base.

**design:**  
**Włodzimierz Orsztynowicz**

**Product website**  
[website link](#)



# bejot:

# collection advantages

## durability and aesthetics

The collection includes chairs with wooden legs and a skid. An upholstered seat, available in a wide range of colours and fabric types, is standard for all models. The back of the chair can be upholstered as well.

## timeless solutions

The chairs are praised for their comfort and they are made for use especially in cafés, restaurants, cafeterias and staff canteens.

## the beauty of solid wood

Woodbe combines minimalism, functionality and love of natural materials. Simple in expression, geometric chairs made of solid oakwood are the base of the collection.

## technical data

WB 870

Standard ●  
Option ○

### Base

Construction - solid oak wood, clear varnish matt ●

### Feet

Without feet (recommended for carpeted floors) ●

Feet for ceramic and concrete floors WK ○

Felt feet on wooden floors and panels WF ○

### Description

Upholstered seat, natural oak veneer backrest

### Code

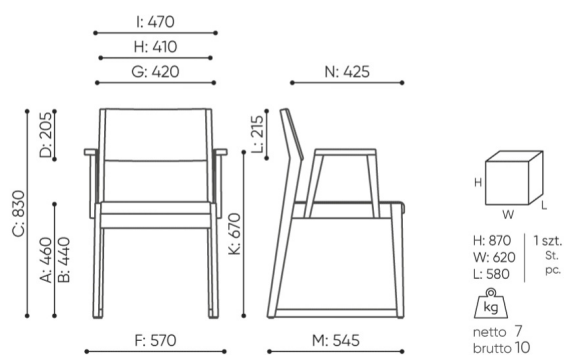
2N

Upholstered seat, natural oak veneer backrest with upholstered pad

3N

# dimensions

WB 870



WB 870

- A seat height: overall dimensions
- B seat height: measured according to the norm  
PN EN 1335 - 1
- C chair height
- D backrest height
- E headrest height
- F dimensional width chair / base
- G seat width
- H backrest width
- I width between armrests
- K height from the floor to the armrest
- L backrest length
- M dimensional chair depth
- N seat depth / seat length

Dimensions are approximate and may vary depending on the selected product configuration. The requirements of the standard are always met.

## materials available for collection

|                 |   |
|-----------------|---|
| 1st price group | Bond, Keimo, Sawana   |
| 2nd price group | Alpa, Charles, Charles - Studio Design, Cura, Pastel, Roccia, Valencia  |
| 3rd price group | Ally, Ally SD, Alpa-Studio Design, Blazer, Cura SD, Easy SD, Oceanic, Silvertex , Silvertex - Studio Design, Synergy, Synergy - Studio Design, Valencia - Studio Design |
| 4th price group | Heritage, Oceanic-Studio Design, Remix - Studio Design  |
| 5th price group | Steelcut Trio 3   |
| Leather         | Leather   |
| Wood            | Solid oak wood - clear varnish matt   |

bejot:woodbe

