

woodbe

WB LH

: product card



Solid oak chairs, hockers and benches with upholstered seats. The Woodbe collection combines minimalism, functionality and a love of natural materials. The structure of the furniture is made up of simple, distinctive geometric shapes with a characteristic skid at the base.

design:
Włodzimierz Orsztynowicz

Product website
[website link](#)



bejot:

collection advantages

wooden benches

The benches are 120 cm long and are available in two heights, so they can be used with both standard and bar tables. The higher model is equipped with leg supports protected with a metal cap.

durability and aesthetics

An upholstered seat, available in a wide range of colours and fabric types, is standard for all models. The back of the chair can be upholstered as well.

technical data

WB LH

Standard ●
Option ○

Base

Construction - solid oak wood, clear varnish matt ●

Metal leg pad

Powder painted (colors according to the Bejot sampler book) ●

Feet

Without feet (recommended for carpeted floors) ●

Feet for ceramic and concrete floors WK ○

Felt feet on wooden floors and panels WF ○

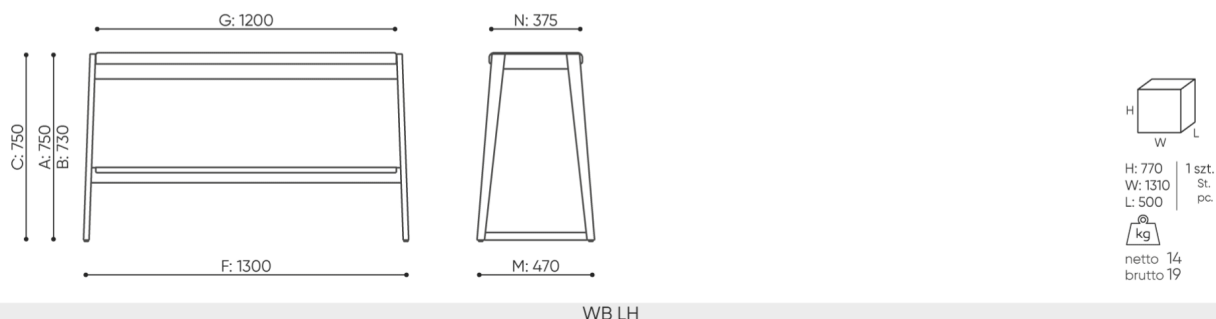
Description

Upholstered seat, natural oak veneer backrest 2N

Upholstered seat, natural oak veneer backrest with upholstered pad 3N

dimensions

WB LH



- A seat height: overall dimensions
- B seat height: measured according to the norm
PN EN 1335 - 1
- C chair height
- D backrest height
- E headrest height
- F dimensional width chair / base
- G seat width
- H backrest width
- I width between armrests
- K height from the floor to the armrest
- L backrest length
- M dimensional chair depth
- N seat depth / seat length

Dimensions are approximate and may vary depending on the selected product configuration. The requirements of the standard are always met.

materials available for collection

1st price group	Bond, Fenno, Keimo, Sawana
2nd price group	Alpa, Charles, Charles - Studio Design, Cura, Pastel, Roccia, Valencia
3rd price group	Ally, Ally SD, Alpa-Studio Design, Blazer, Cura SD, Easy SD, Oceanic, Silvertex , Silvertex - Studio Design, Synergy, Synergy - Studio Design, Valencia - Studio Design
4th price group	Heritage, Oceanic-Studio Design, Remix - Studio Design
5th price group	Steelcut Trio 3
Leather	Leather
Wood	Solid oak wood - clear varnish matt

bejot:woodbe

