

# be:basic offer

ZP 215 be:basic

: product card



Products withdrawn from the offer with extended lead time.  
Available only while stock lasts.

**design:**

**Product website**  
[website link](#)



**bejot:**

# collection advantages

## Light & functional

A light and dynamic form, functionality and convenience of the everyday use are the advantages of the Zip collection, which appeal to everyone.

## Utility values

A possibility of stacking, joining chairs in rows and fixing desktops are the utility values that will satisfy the requirements of each customer.

## technical data

ZP 215 be:basic

Standard ●  
Option ○

### Base

Powder coated (colors according to the Bejot sampler) ●

### Additional equipment

#### CODE

Black underside of the seat protecting chairs against scratching during stacking (for chairs without a connector) PC

Mobile writing desk made of varnished wood / polished aluminum connector P ○

Chairs connectors L ○

### The system of joining rows and rows with each other

#### CODE

The bar combining 4 chairs (length: 3000 mm) LR1 ○

Set: The bar combining 4 chairs (length: 3000 mm)+ 2 x row connector (length: 1000 mm) LR4-SET ○

### Feet

#### CODE

Feet for ceramic floors, concrete and carpets TK ●

Felt feet for wooden floors and panels TF ○

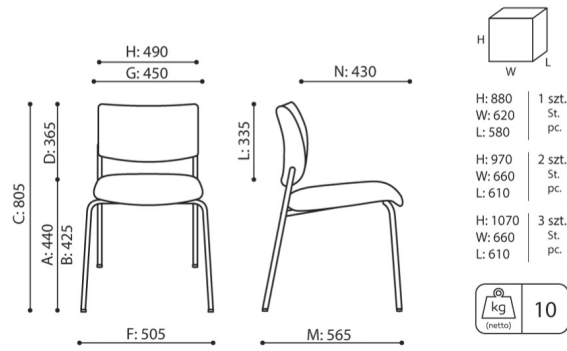
4-pieces stacking. The product does not scratch the walls.

### Product available while stocks last

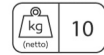
bejot:be:basic offer

# dimensions

## ZP 215 be:basic



H: 880	1 szt.
W: 620	St.
L: 580	pc.
H: 970	2 szt.
W: 660	St.
L: 610	pc.
H: 1070	3 szt.
W: 660	St.
L: 610	pc.



ZP 215

- A seat height: overall dimensions
- B seat height: measured according to the norm PN EN 1335 - 1
- C chair height
- D backrest height
- E headrest height
- F dimensional width chair / base
- G seat width
- H backrest width
- I width between armrests
- K height from the floor to the armrest
- L backrest length
- M dimensional chair depth
- N seat depth / seat length

Dimensions are approximate and may vary depending on the selected product configuration. The requirements of the standard are always met.

bejot:be:basic offer

## materials available for collection

1st price group	Bond, Fenno, Keimo, Sawana
2nd price group	Alpa, Charles, Charles - Studio Design, Cura, Era - Studio Design, Pastel, Roccia
3rd price group	Ally, Ally SD, Alpa-Studio Design, Blazer, Cura SD, Easy SD, Oceanic, Rhythm, Silvertex , Silvertex - Studio Design, Synergy, Synergy - Studio Design
4th price group	Heritage, Oceanic-Studio Design, Remix - Studio Design
5th price group	Accessoire, Steelcut Trio 3
Leather	Leather
Metal	Metal - powder coated

bejot:be:basic offer

