

be:basic offer

ZP 220 be:basic

: product card



Products withdrawn from the offer with extended lead time.
Available only while stock lasts.

design:

Product website
[website link](#)



bejot:

collection advantages

Light & functional

A light and dynamic form, functionality and convenience of the everyday use are the advantages of the Zip collection, which appeal to everyone.

Utility values

A possibility of stacking, joining chairs in rows and fixing desktops are the utility values that will satisfy the requirements of each customer.

technical data

ZP 220 be:basic

Standard ●
Option ○

bejot:be:basic offer

Base

Powder coated (colors according to the Bejot sampler) ●

Armpads

CODE

Without armpads ●

Soft, black polyurethane PU ○

Additional equipment

CODE

Black underside of the seat protecting chairs against scratching during stacking (for chairs without a connector) PC ○

Mobile writing desk CPL P ○

Chairs connectors L ○

The system of joining rows and rows with each other

CODE

The bar combining 4 chairs (length: 3000 mm) LR1 ○

Set: The bar combining 4 chairs (length: 3000 mm)+ 2 x row connector (length: 1000 mm) LR4-SET ○

Feet

CODE

Feet for ceramic floors, concrete and carpets TK ●

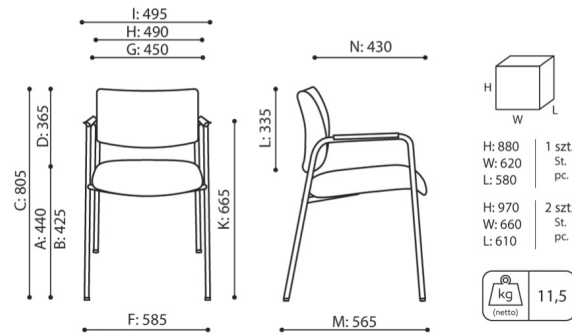
Felt feet for wooden floors and panels TF ○

4-pieces stacking. The product does not scratch the walls.

Product available while stocks last

dimensions

ZP 220 be:basic



ZP 220

- A seat height: overall dimensions
- B seat height: measured according to the norm
PN EN 1335 - 1
- C chair height
- D backrest height
- E headrest height
- F dimensional width chair / base
- G seat width
- H backrest width
- I width between armrests
- K height from the floor to the armrest
- L backrest length
- M dimensional chair depth
- N seat depth / seat length

Dimensions are approximate and may vary depending on the selected product configuration. The requirements of the standard are always met.

materials available for collection

| | |
|-----------------|---|
| 1st price group | Bond, Fenno, Keimo, Sawana |
| 2nd price group | Alpa, Charles, Charles - Studio Design, Cura, Era - Studio Design, Pastel, Roccia |
| 3rd price group | Ally, Ally SD, Alpa-Studio Design, Blazer, Cura SD, Easy SD, Oceanic, Rhythm, Silvertex , Silvertex - Studio Design, Synergy, Synergy - Studio Design |
| 4th price group | Heritage, Oceanic-Studio Design, Remix - Studio Design |
| 5th price group | Accessoire, Steelcut Trio 3 |
| Leather | Leather |
| Metal | Metal - powder coated |

bejot:be:basic offer

