

kyos

KY 220 M

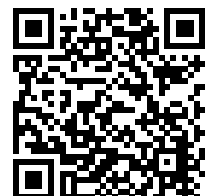
: fiche produit



La forme simple et ergonomique, accentuée par le dossier transparent, permet Kyos de se marier parfaitement avec l'intérieur des bureaux, des salles de conférence, des bibliothèques et des lieux publics.

design:
Scagnellato & Ferrarese

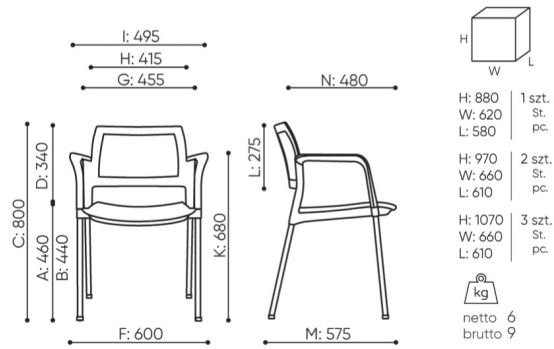
Site du produit
[lien vers le site](#)



bejot:

dimensions

KY 220 M



KY 220 2M

- A seat height: overall dimensions
- B seat height: measured according to the norm
PN EN 1335 - 1
- C chair height
- D backrest height
- E headrest height
- F dimensional width chair / base
- G seat width
- H backrest width
- I width between armrests
- K height from the floor to the armrest
- L backrest length
- M dimensional chair depth
- N seat depth / seat length

Dimensions are approximate and may vary depending on the selected product configuration. The requirements of the standard are always met.

mat riaux disponibles pour la collection

| | |
|-----------------|---|
| 1st price group | Bond, Fenno, Keimo, Sawana |
| 2nd price group | Alpa, Charles, Charles - Studio Design, Cura, Era - Studio Design, Pastel, Roccia, Valencia |
| 3rd price group | Ally, Ally SD, Alpa-Studio Design, Blazer, Cura SD, Easy SD, Oceanic, Rhythm, Silvertex , Silvertex - Studio Design, Synergy, Synergy - Studio Design, Valencia - Studio Design |
| 4th price group | Heritage, Oceanic-Studio Design, Remix - Studio Design |
| 5th price group | Accessoire, Steelcut Trio 3 |
| Cuir | Leather |
| Membrane | Membrane Kyos, Momo, Milla, Mesh sampler for Eleven and Kyos |
| Plastic | Plastic Kyos |
| Metal | Metal - powder coated |

bejot:kyos

