

# ox:co\_small

OX SHN

: fiche produit



Une collection reconnaissable qui s'est imposée dans de nombreux intérieurs. Le design accrocheur de ce fauteuil met parfaitement en valeur la forme minimaliste mais intrigante de l'assise.

Grâce à la combinaison unique de différents matériaux, la simplicité de la construction du seau acquiert un caractère distinctif.

**design:**  
**Bejot Development Team**

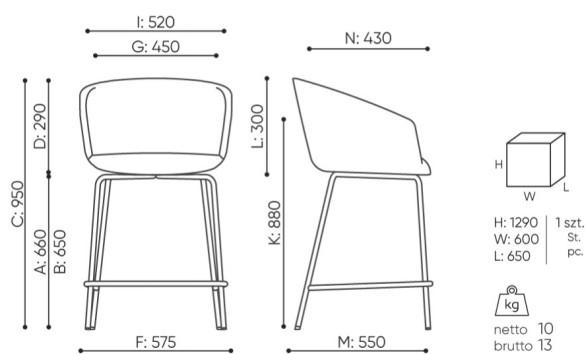
**Site du produit**  
[lien vers le site](#)



**bejot:**

# dimensions

## OX S HN



OX S HN

- A seat height: overall dimensions
- B seat height: measured according to the norm  
PN EN 1335 - 1
- C chair height
- D backrest height
- E headrest height
- F dimensional width chair / base
- G seat width
- H backrest width
- I width between armrests
- K height from the floor to the armrest
- L backrest length
- M dimensional chair depth
- N seat depth / seat length

Dimensions are approximate and may vary depending on the selected product configuration. The requirements of the standard are always met.

## mat riaux disponibles pour la collection

|                 |   |
|-----------------|---|
| 1st price group | Bond, Fenno, Keimo, Sawana  |
| 2nd price group | Alpa, Charles, Charles - Studio Design, Cura, Pastel, Roccia, Valencia  |
| 3rd price group | Ally, Ally SD, Alpa-Studio Design, Blazer, Cura SD, Easy SD, Oceanic, Silvertex , Silvertex - Studio Design, Synergy, Synergy - Studio Design, Valencia - Studio Design |
| 4th price group | Heritage, Oceanic-Studio Design, Remix - Studio Design  |
| 5th price group | Accessoire, Steelcut Trio 3   |
| Cuir            | Leather   |
| Metal           | Metal - powder coated, Metal ALU/chrom  |

bejot:ox:co\_small

